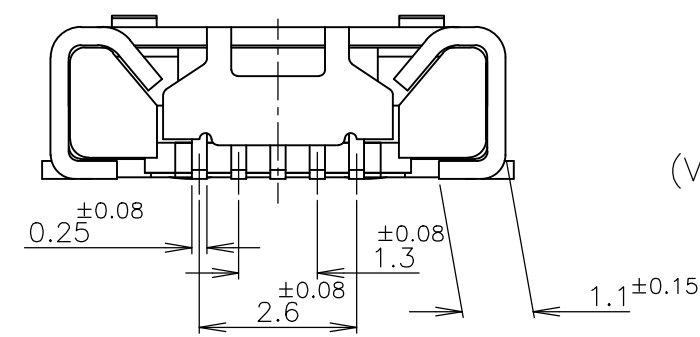
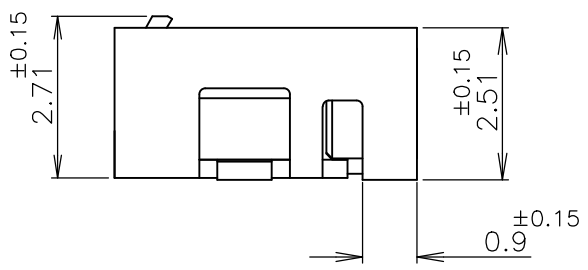
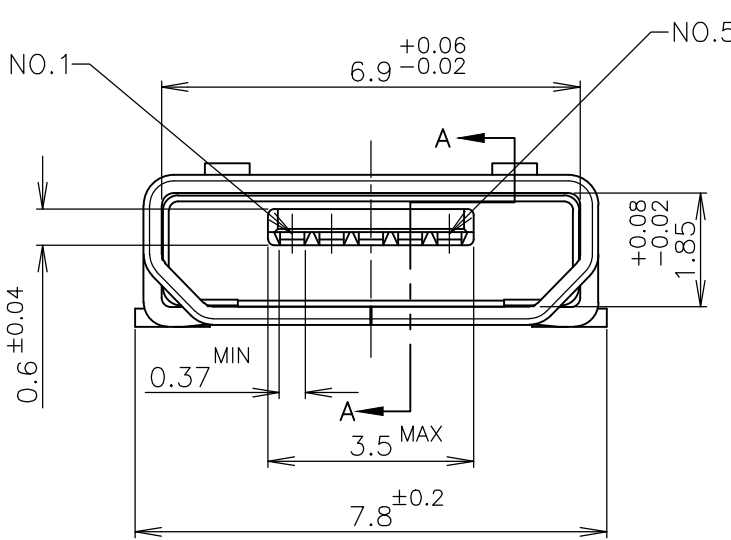
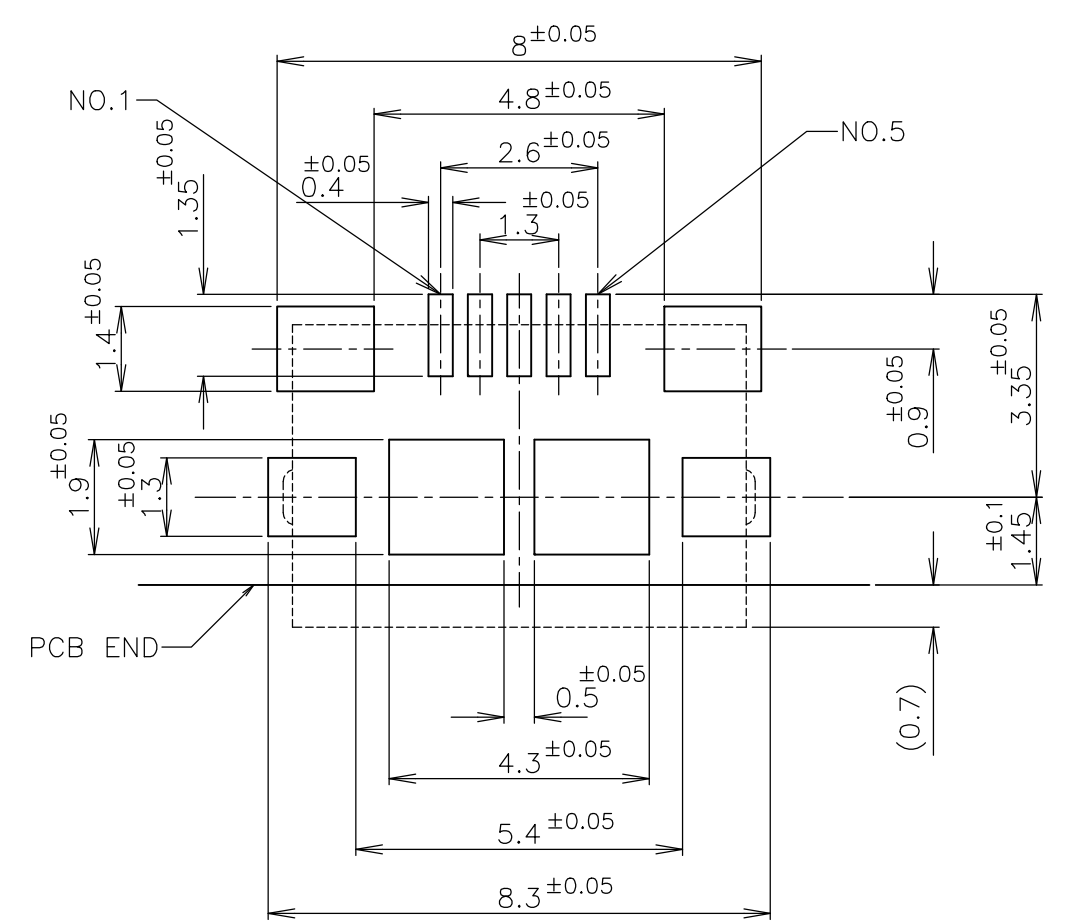
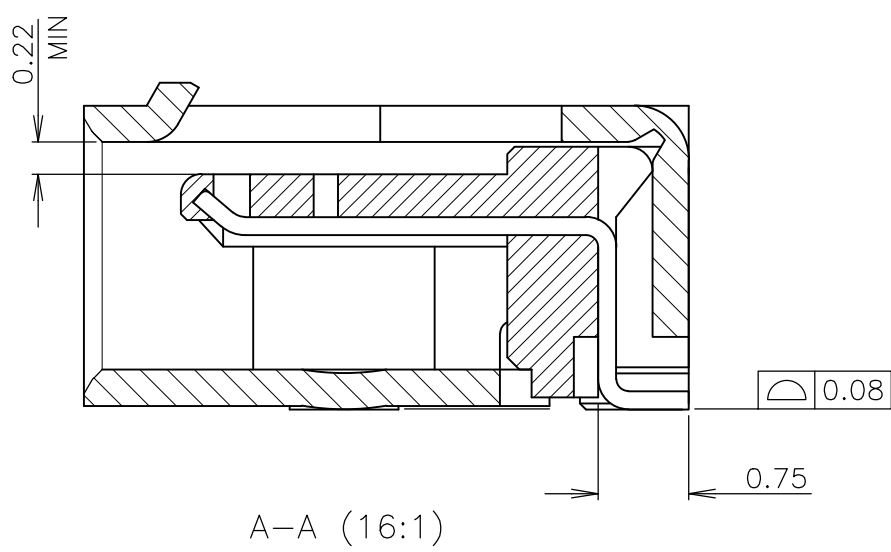
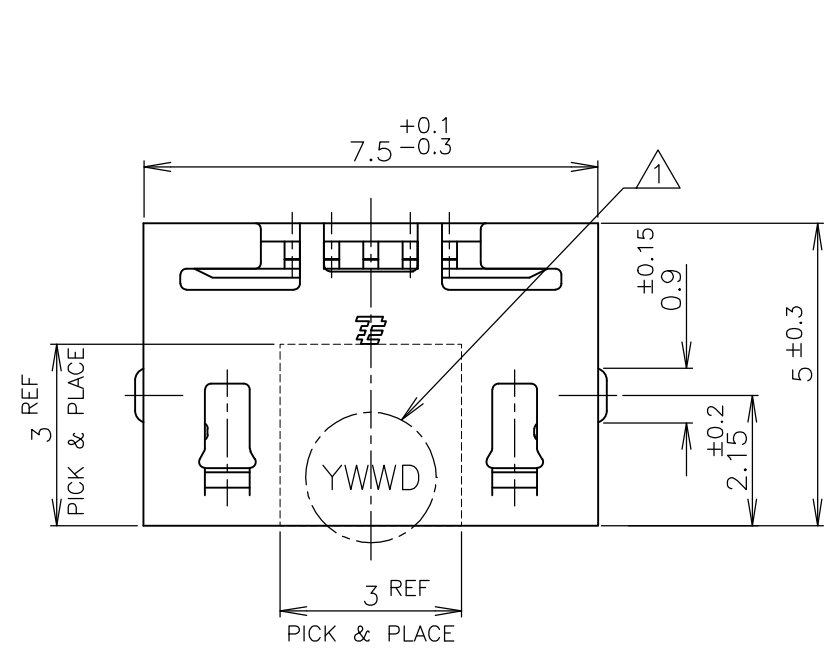
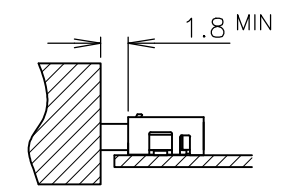


REVISIONS 変更					
P	LTR	DESCRIPTION	DATE	DWN	APVD
	B	REVISED PER ECR-20-012627	09SEP2020	R.M	S.H



PCB LAYOUT (REFERENCE)
(VIEWED FROM CONNECTOR MOUNT SIDE)

DISTANCE BETWEEN PLUG & RECE



(REFERENCE DIMENSION)

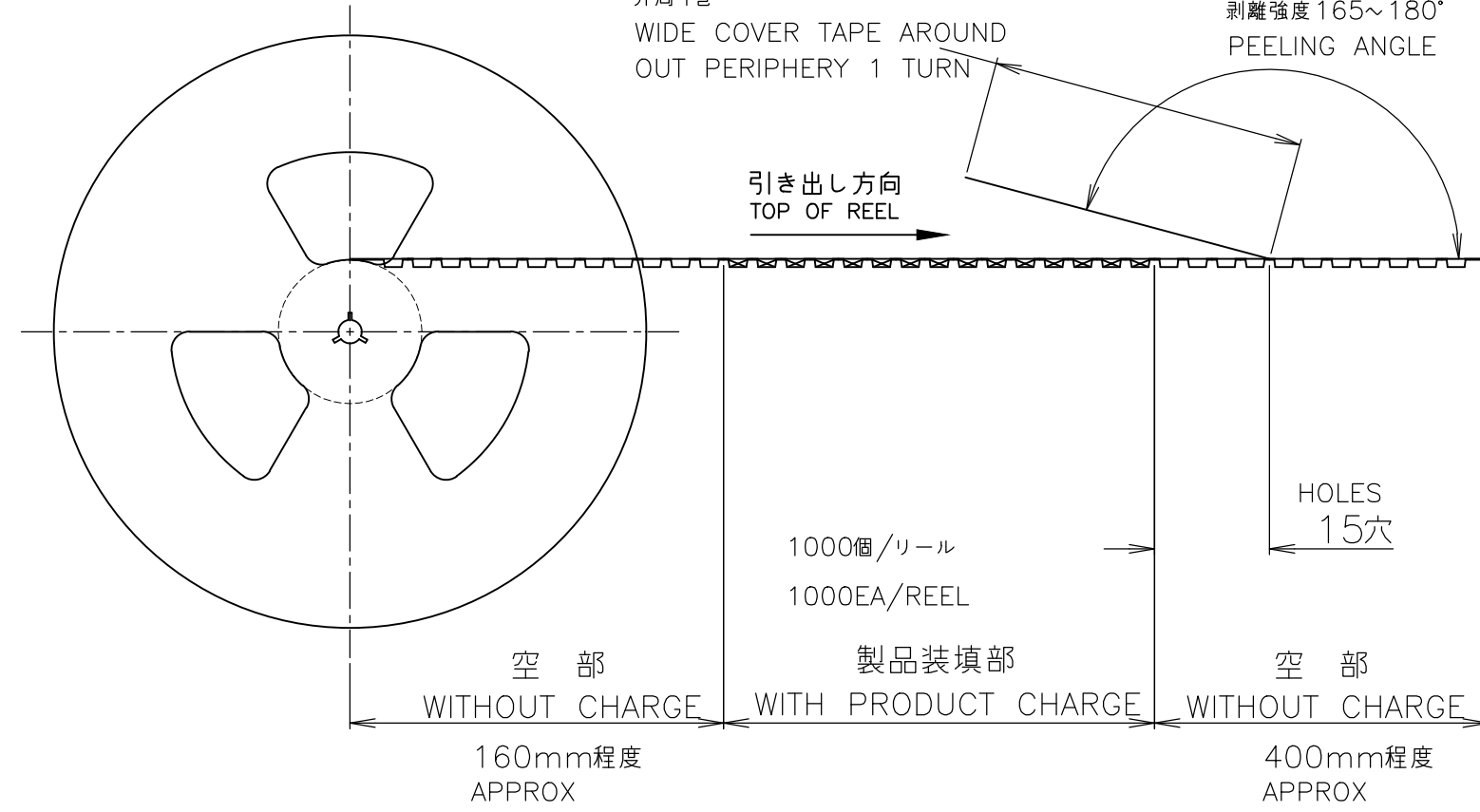
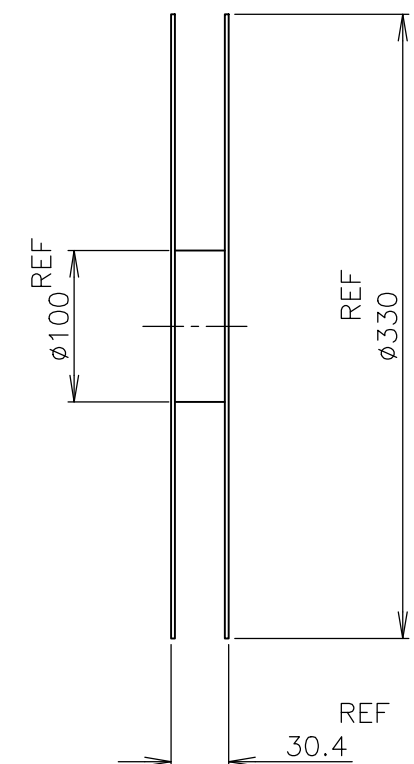
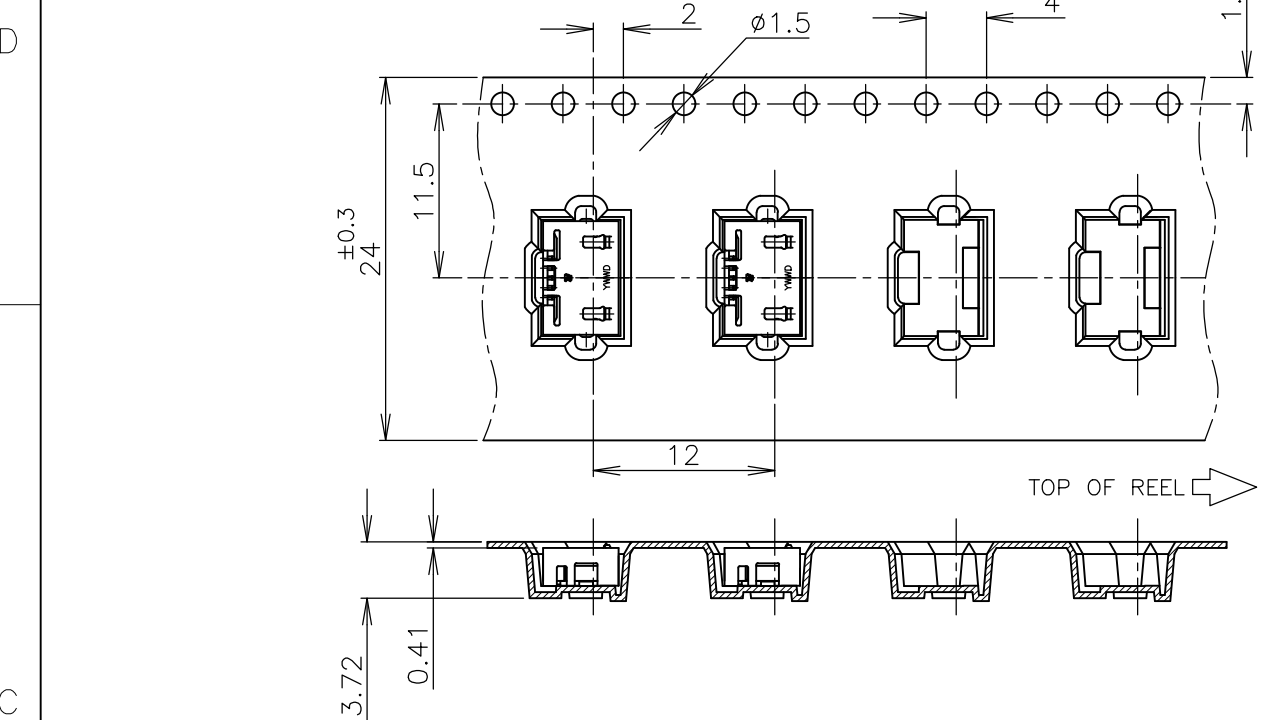
▲ LASER MARKING: YWWD
DATE CODE (YEAR, WEEK, DAY)

- OVERALL TOLERANCE: ±0.2
- MATERIAL HOUSING: THERMOPLASTIC RESIN UL94V-0
CONTACT: COPPER ALLOY
SHELL : STAINLESS STEEL (APPLIED GREASE AT LOCK POSITION)
- FINISH CONTACT: Ni UNDER PL
Au PL
SHELL : Ni UNDER PL
Sn PL 1 um MIN. FOR 2174507-2
Sn PL 2 um MIN. FOR 2174507-3
- PREVENTION OF WRENCHING
PLEASE HOLD THE TOP AND THE SIDE OF CONNECTOR BY THE CASE.
- PREVENTION OF HITTING DURING PLUG INSERTION
PLEASE SET THE INSERTION GUIDE ALONG THE MATING SURFACE.

2174507-3
2174507-2
PART NUMBER

THIS DRAWING IS A CONTROLLED DOCUMENT.		DWN C.OHASHI 07NOV2011	TE Connectivity Ltd.		
DIMENSIONS: 単位: 耗 mm		CHK A.KUBO 08NOV2011			
TOLERANCES UNLESS OTHERWISE SPECIFIED: 一般公差		APVD T.KUSUHARA 08NOV2011	NAME 名称		
0 PLC ± -		PRODUCT SPEC 製品規格	MICRO USB		
1 PLC ± -		APPLICATION SPEC 取付適用規格	RECEPTACLE STANDARD 2DIP TYPE B		
2 PLC ± -		WEIGHT 0.22g	FLANGELESS		
3 PLC ± -		CUSTOMER DRAWING	SIZE A3	CAGE CODE 00779	DRAWING NO 番号 C-2174507
4 PLC ± -		SCALE 尺度 8:1	SHEET 1 OF 3		RESTRICTED TO REV B
ANGLES ± -					
FINISH 仕上					

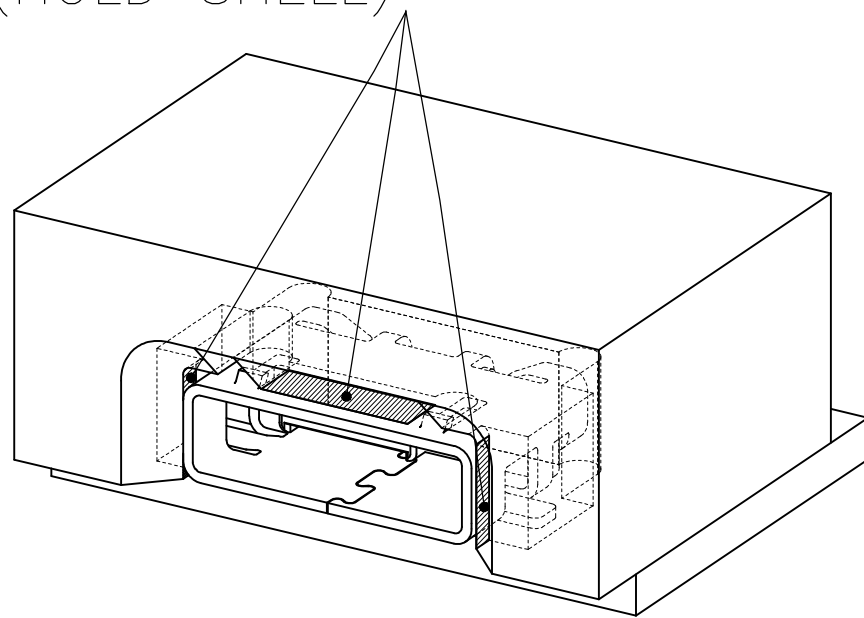
REVISIONS 変更					
P	LTR	DESCRIPTION	DATE	DWN	APVD
	-	SEE SHEET 1	-	-	-



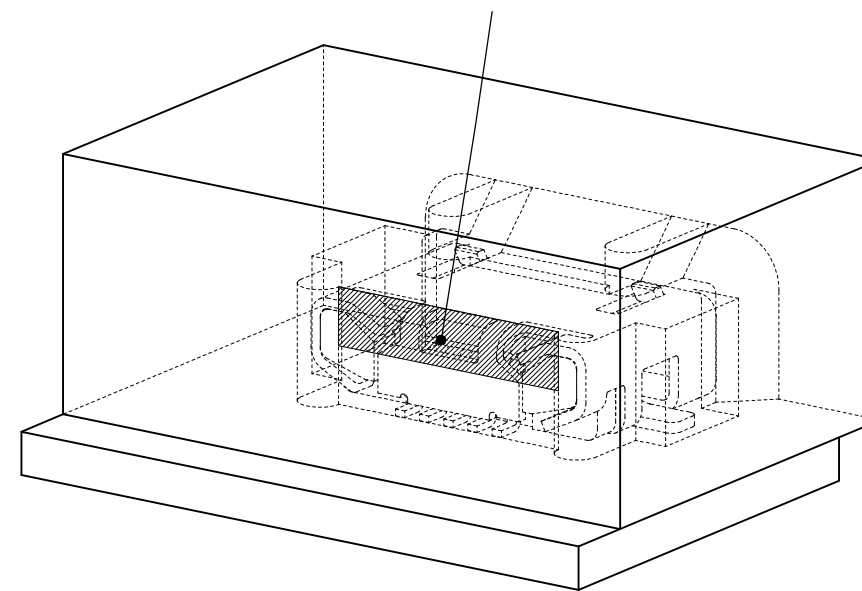
THIS DRAWING IS A CONTROLLED DOCUMENT.		DWN	STE TE Connectivity Ltd.		
DIMENSIONS: 単位: 耗 mm		CHK			
TOLERANCES UNLESS OTHERWISE SPECIFIED: 一般公差		APVD	NAME 名称		
0 PLC ±-		PRODUCT SPEC 製品規格	MICRO USB RECEPTACLE STANDARD 2DIP TYPE B FLANGELESS		
1 PLC ±-		APPLICATION SPEC 取付適用規格	SIZE	CAGE CODE	DRAWING NO 番号
2 PLC ±-		WEIGHT	A3	00779	G-2174507
3 PLC ±-		RESTRICTED TO			
4 PLC ±-		-			
ANGLES ±-		SCALE 尺度 NTS			
MATERIAL 材料		SHEET 2 OF 3			
FINISH 仕上		REV B			
CUSTOMER DRAWING					

REVISIONS 変更					
P	LTR	DESCRIPTION	DATE	DWN	APVD
	-	SEE SHEET 1	-	-	-


CONNECTOR INSERTION OPENING
(HOLD SHELL)



CONNECTOR BACK SIDE
(HOLD SHELL AND HOUSING)



GUIDE CASE FOR WRENCHING (REFERENCE)

THIS DRAWING IS A CONTROLLED DOCUMENT.		DWN	 TE Connectivity Ltd.				
DIMENSIONS: 単位: 耗 mm		CHK					
TOLERANCES UNLESS OTHERWISE SPECIFIED: 一般公差		APVD	NAME 名称				
0 PLC ± - 1 PLC ± - 2 PLC ± - 3 PLC ± - 4 PLC ± - ANGLES ± -		PRODUCT SPEC 製品規格	MICRO USB RECEPTACLE STANDARD 2DIP TYPE B FLANGELESS				
MATERIAL 材料		FINISH 仕上	APPLICATION SPEC 取付適用規格	SIZE	CAGE CODE	DRAWING NO 番号	RESTRICTED TO
			WEIGHT	A3	00779	G-2174507	-
CUSTOMER DRAWING			SCALE 尺度	NTS	SHEET 3 OF 3	REV B	