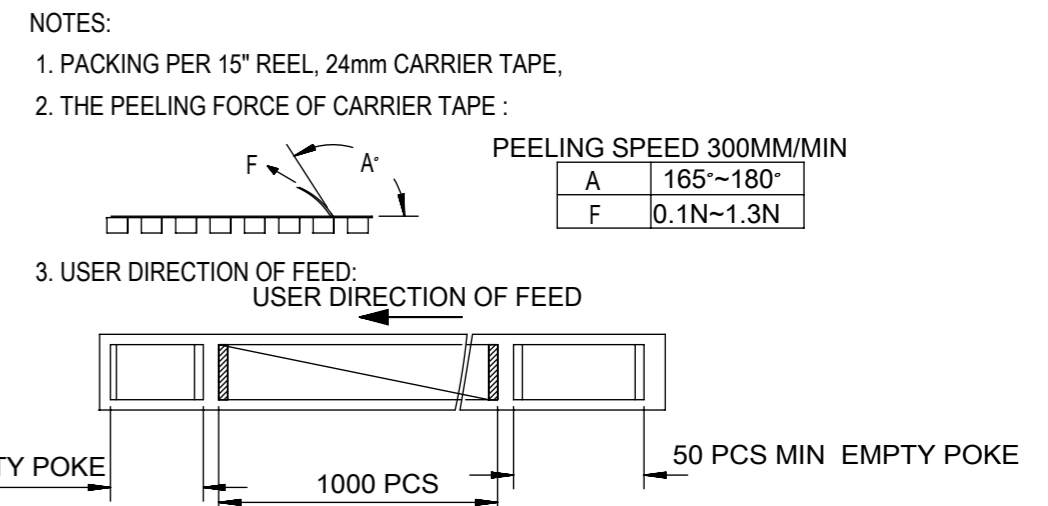
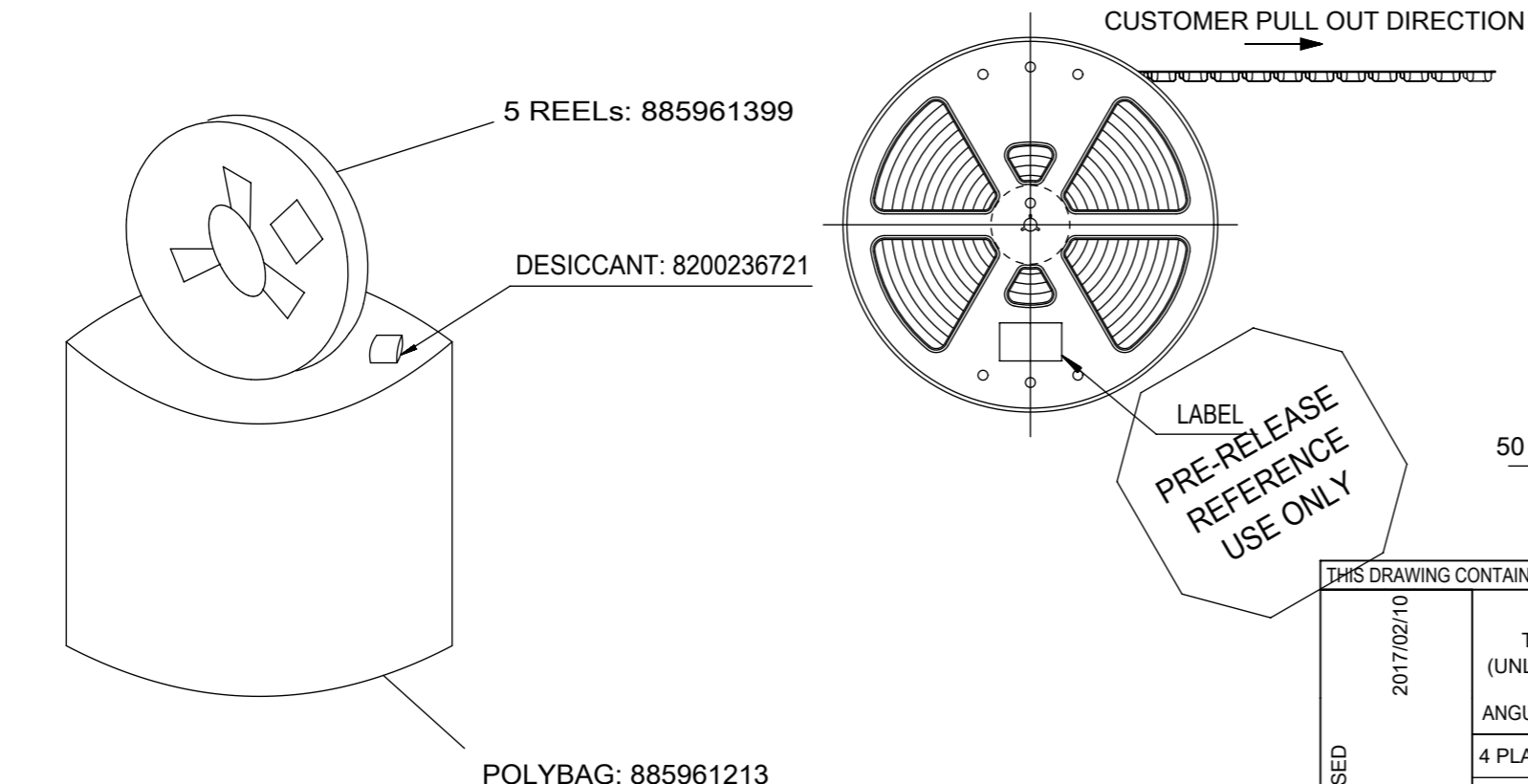
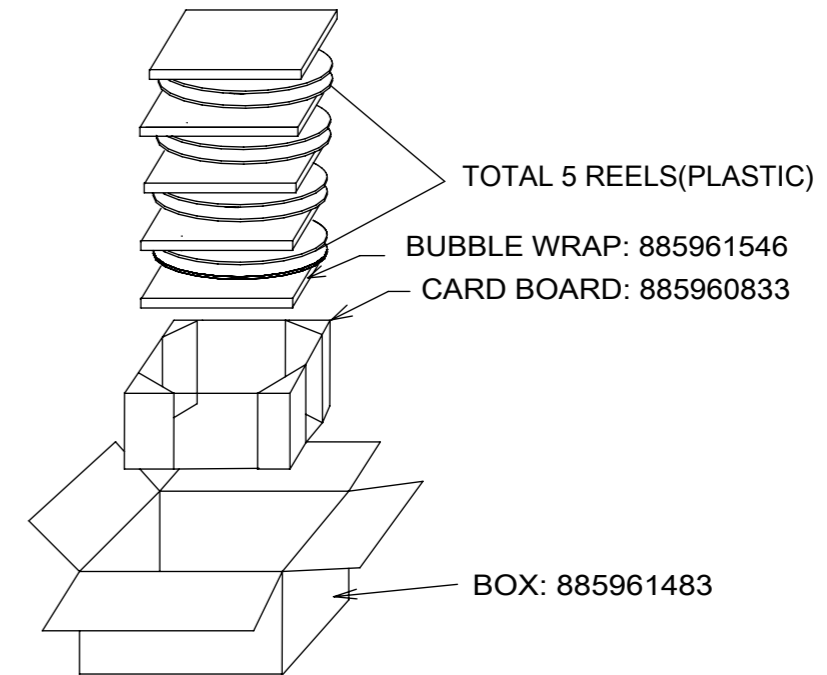
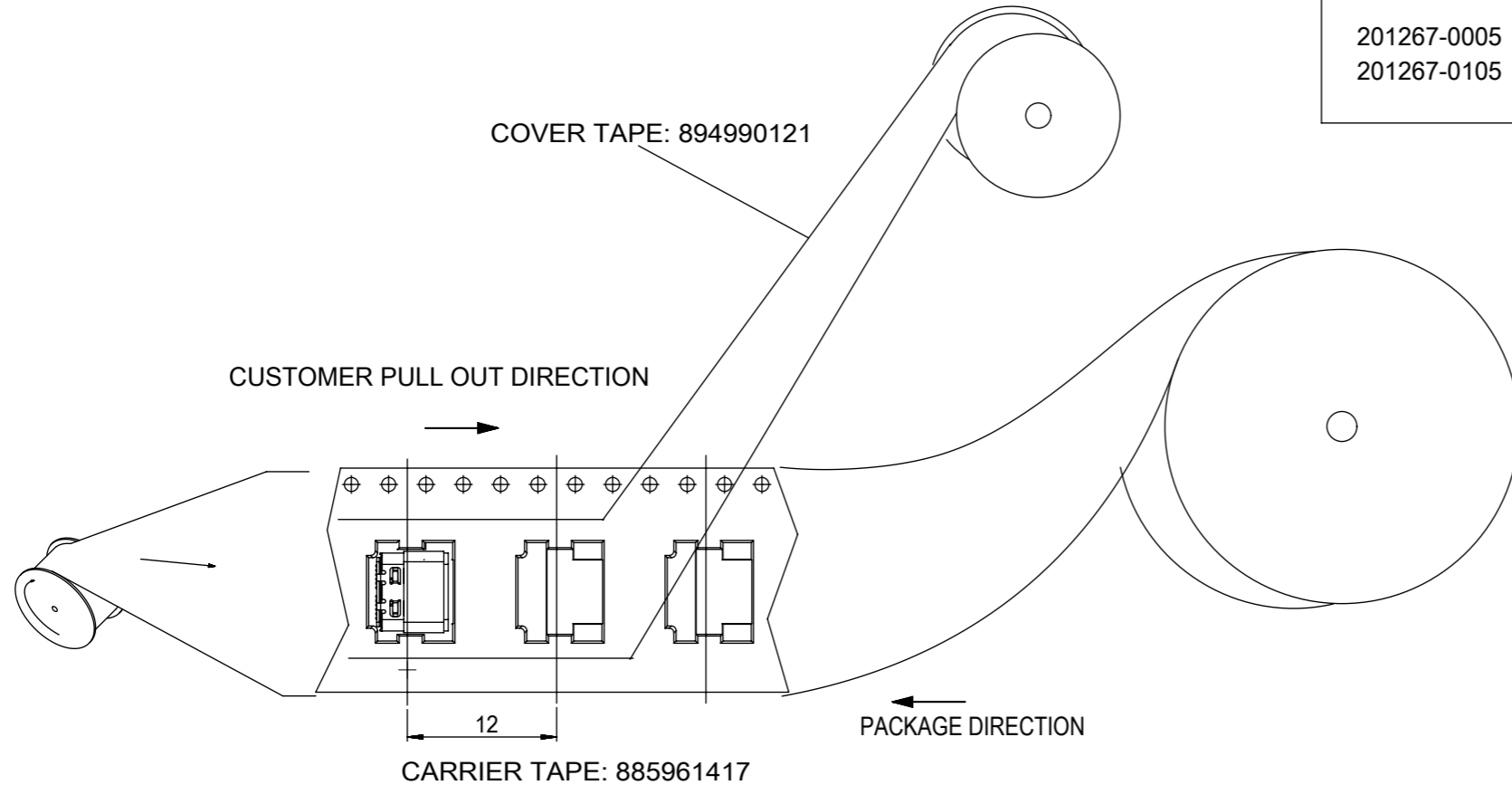


P/N	Q'TY/REEL	REEL/BOX	SPQ	MOQ
201267-0005	1000 PCS	5	1000 PCS	5000 PCS
201267-0105				



THIS DRAWING CONTAINS INFORMATION THAT IS PROPRIETARY TO MOLEX ELECTRONIC TECHNOLOGIES, LLC AND SHOULD NOT BE USED WITHOUT WRITTEN PERMISSION

EC NO: 113145 DRWN: FYANG05 CHK'D: APPR:	2017/02/10 RELEASED	GENERAL TOLERANCES (UNLESS SPECIFIED) ANGULAR TOL ± 3.0 °	DIMENSION UNITS: MM SCALE: 1:1				
	4 PLACES ± 3 PLACES ± 0.3 2 PLACES ± 0.3 1 PLACE ± 0.3 0 PLACES ±	DRWN BY: FYANG05 DATE: 2017/02/10	DRWN BY: FYANG05 DATE: 2017/02/10				PACKAGE FOR USB-C,RECEPTACLE--201267
	DRAFT WHERE APPLICABLE MUST REMAIN WITHIN DIMENSIONS	APPR BY:	APPR BY:	DRAWING SIZE: A3 THIRD ANGLE PROJECTION	PACKAGING DESIGN DRAWING		
	A	REV:	APPR:	DRAWING SIZE: A3 THIRD ANGLE PROJECTION	SERIES: 201267 MATERIAL NUMBER: SEE TABLE CUSTOMER:	DOCUMENT NUMBER: 2012670005 DOC TYPE: PDD DOC PART: PK1 SHEET NUMBER: 1 OF 1	