

## 2.25-A, WIDE-INPUT ADJUSTABLE SWITCHING REGULATOR

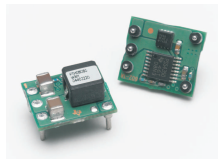
Check for Samples: [PTH08080W](#)

### FEATURES

- Up to 2.25-A Output Current at 85°C
- 4.5-V to 18-V Input Voltage Range
- Wide-Output Voltage Adjust (0.9 V to 5.5 V)
- Efficiencies Up To 93%
- On/Off Inhibit
- Undervoltage Lockout (UVLO)
- Output Overcurrent Protection (Nonlatching, Auto-Reset)
- Overtemperature Protection
- Ambient Temperature Range: –40°C to 85°C
- Surface-Mount Package
- Safety Agency Approvals: UL/CUL 60950, EN60950

### APPLICATIONS

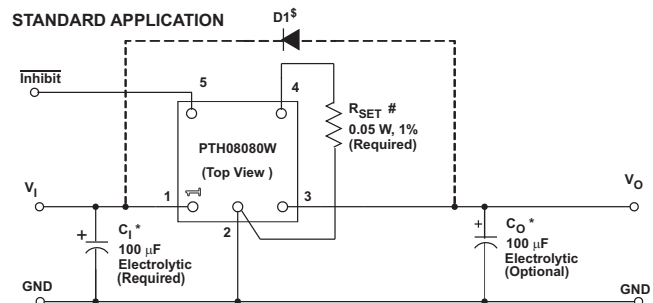
- Telecommunications, Instrumentation, and General-Purpose Circuits



### DESCRIPTION

The PTH08080W is a highly integrated, low-cost switching regulator module that delivers up to 2.25 A of output current. The PTH08080W sources output current at a much higher efficiency than a TO-220 linear regulator IC, thereby eliminating the need for a heat sink. Its small size (0.5 × 0.6 in) and flexible operation creates value for a variety of applications.

The input voltage range of the PTH08080W is from 4.5 V to 18 V, allowing operation from either a 5-V or 12-V input bus. Using state-of-the-art switched-mode power-conversion technology, the PTH08080W can step down to voltages as low as 0.9 V from a 5-V input bus, with less than 1 W of power dissipation. The output voltage can be adjusted to any voltage over the range, 0.9 V to 5.5 V, using a single external resistor. Operating features include an undervoltage lockout (UVLO), on/off inhibit, overcurrent protection, and overtemperature protection. Target applications include telecommunications, test and measurement applications, and high-end consumer products. This product is available in both through-hole and surface-mount package options, including tape and reel.



\* See The Capacitor Application Information

# See the Specification Table for the  $R_{SET}$  value.

\$ Diode is Required When  $V_O \geq 5.25$  V and  $V_I \geq 16$  V.



Please be aware that an important notice concerning availability, standard warranty, and use in critical applications of Texas Instruments semiconductor products and disclaimers thereto appears at the end of this data sheet.

# PTH08080W

SLTS235D – FEBRUARY 2005 – REVISED SEPTEMBER 2013

[www.ti.com](http://www.ti.com)


This integrated circuit can be damaged by ESD. Texas Instruments recommends that all integrated circuits be handled with appropriate precautions. Failure to observe proper handling and installation procedures can cause damage.

ESD damage can range from subtle performance degradation to complete device failure. Precision integrated circuits may be more susceptible to damage because very small parametric changes could cause the device not to meet its published specifications.

## ORDERING INFORMATION

For the most current package and ordering information, see the Package Option Addendum at the end of this datasheet, or see the TI website at [www.ti.com](http://www.ti.com).

## ABSOLUTE MAXIMUM RATINGS

over operating free-air temperature range unless otherwise noted<sup>(1)</sup>

			PTH08080W	UNIT
$T_A$	Operating free-air temperature	Over $V_I$ range	-40 to 85	°C
$T_S$	Wave Solder temperature	Surface temperature of module body or pins	Suffix AH	235
			Suffix AD	260
	Solder reflow temperature		Suffix AS	235
			Suffix AZ	260
$T_{stg}$	Storage temperature		-55 to 125	°C

- (1) Stresses beyond those listed under absolute maximum ratings may cause permanent damage to the device. These are stress ratings only, and functional operation of the device at these or any other conditions beyond those indicated under recommended operating conditions is not implied. Exposure to absolute-maximum-rated conditions for extended periods may affect device reliability.

## RECOMMENDED OPERATING CONDITIONS

		MIN	MAX	UNIT
$V_I$	Input voltage	4.5	18	V
$T_A$	Operating free-air temperature	-40	85	°C

## PACKAGE SPECIFICATIONS

PTH08080W (Suffix AH and AS)		
Weight		1.5 grams
Flammability	Meets UL 94 V-O	
Mechanical shock	Per Mil-STD-883D, Method 2002.3, 1 ms, 1/2 sine, mounted	500 G <sup>(1)</sup>
Mechanical vibration	Mil-STD-883D, Method 2007.2, 20-2000 Hz	20 G <sup>(1)</sup>

- (1) Qualification limit.

## ELECTRICAL CHARACTERISTICS

at 25°C free-air temperature,  $V_I = 12\text{ V}$ ,  $V_O = 3.3\text{ V}$ ,  $I_O = I_{Omax}$ ,  $C_I = 100\text{ }\mu\text{F}$ ,  $C_O = 100\text{ }\mu\text{F}$  (unless otherwise noted)

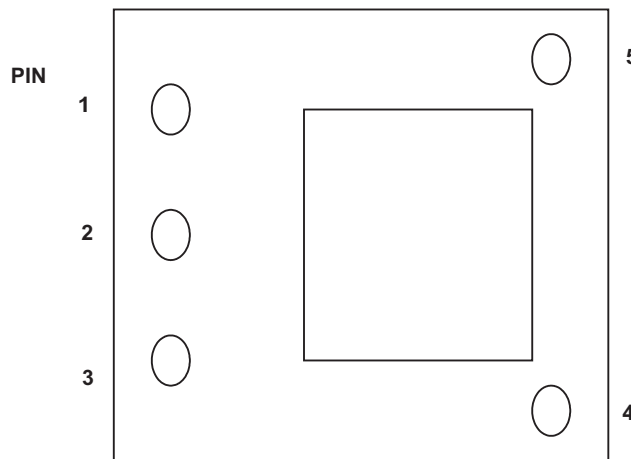
PARAMETER		TEST CONDITIONS	MIN	TYP	MAX	UNIT
$I_O$	Output current	$T_A = 85^\circ\text{C}$ , natural convection airflow	0		2.25	A
$P_O$	Output power	$T_A = 85^\circ\text{C}$ , natural convection airflow			10	W
$V_O$	Set-point voltage tolerance	$T_A = 25^\circ\text{C}$			$\pm 2^{(1)}$	%
	Temperature variation	$-40 \leq T_A \leq +85^\circ\text{C}$		$\pm 0.5$		% $V_O$
	Line regulation	Over $V_I$ range		$\pm 7$		mV
	Load regulation	Over $I_O$ range		$\pm 0.13$		% $V_O$
	Total output voltage variation	Includes set-point, line, load, $-40 \leq T_A \leq +85^\circ\text{C}$			$3^{(1)}$	% $V_O$
$V_{ADJ}$	Output Voltage Adjust Range	Over $I_O$ range	0.9		5.5	V
$V_I$	Input Voltage Range	Over $V_O$ range				
		$0.9\text{ V} \leq V_O \leq 1.8\text{ V}$	4.5		$V_O \times 10^{(2)}$	
		$1.8\text{ V} < V_O \leq 3.4\text{ V}$	4.5		18	V
		$3.4\text{ V} < V_O \leq 5.5\text{ V}$	$V_O + 1.1^{(2)}$		$18^{(2)}$	
$\eta$	Efficiency	$T_A = 25^\circ\text{C}$ , $I_O = 2\text{ A}$	$R_{SET} = 348\text{ }\Omega$ , $V_O = 5\text{ V}$		93.5%	
			$R_{SET} = 1.87\text{ k}\Omega$ , $V_O = 3.3\text{ V}$		92%	
			$R_{SET} = 3.74\text{ k}\Omega$ , $V_O = 2.5\text{ V}$		91%	
			$R_{SET} = 6.19\text{ k}\Omega$ , $V_O = 2\text{ V}$		90%	
			$R_{SET} = 8.06\text{ k}\Omega$ , $V_O = 1.8\text{ V}$		89%	
			$R_{SET} = 13\text{ k}\Omega$ , $V_O = 1.5\text{ V}$		87.5%	
			$R_{SET} = 27.4\text{ k}\Omega$ , $V_O = 1.2\text{ V}$		86.5%	
	Output voltage ripple	20 MHz bandwidth		30		mV <sub>PP</sub>
$I_O$ (trip)	Overcurrent threshold	Reset, followed by autorecovery		3.5		A
	Transient response	$C_O = 100\text{ }\mu\text{F}$ , 1 A/ $\mu\text{s}$ load step from 50% to 100% $I_{Omax}$	Recovery time		50	$\mu\text{s}$
			$V_O$ over/undershoot		70	mV
UVLO	Undervoltage lockout	$V_I$ = increasing		4.35	4.5	V
		$V_I$ = decreasing	3.6	4		
	Inhibit control (pin 5)	Input high voltage ( $V_{IH}$ )			Open <sup>(3)</sup>	V
		Input low voltage ( $V_{IL}$ )	-0.2		0.5	
		Input low current ( $I_{IL}$ )		5		
$I_I$ (stby)	Input standby current	Pins 5 and 2 connected		1		mA
$f_S$	Switching frequency	Over $V_I$ and $I_O$ ranges		300		kHz
	External input capacitance	Electrolytic type ( $C_I$ )	100 <sup>(4)</sup>			$\mu\text{F}$
	External output capacitance	Ceramic type ( $C_O$ )			220	$\mu\text{F}$
		Nonceramic type ( $C_O$ )		$100^{(5)}$	$330^{(6)}$	
		Equivalent series resistance (nonceramic)	$10^{(7)}$			
MTBF	Calculated reliability	Per Telcordia SR-332, 50% stress, $T_A = 40^\circ\text{C}$ , ground benign	48			$10^6\text{ Hr}$

- The set-point voltage tolerance is affected by the tolerance and stability of  $R_{SET}$ . The stated limit is unconditionally met if  $R_{SET}$  has a tolerance of 1% with 100 ppm/ $^\circ\text{C}$  or better temperature stability.
- The minimum input voltage is 4.5 V or ( $V_O + 1.1$ ) V, whichever is greater. The maximum input voltage is 18 V or  $V_O \times 10$ , whichever is less.
- This control pin has an internal pull-up to 3 V (TYP). Do not place an internal pull-up on this pin. If it is left open-circuit, the module operates when input power is applied. A small low-leakage (< 100 nA) MOSFET is recommended for control. See the application information for further guidance.
- An external 100- $\mu\text{F}$  electrolytic capacitor is required across the input ( $V_I$  and GND) for proper operation. Locate the capacitor close to the module.
- An external 100- $\mu\text{F}$  electrolytic capacitor is optional across the output ( $V_O$  and GND). Locate the capacitor close to the module. Additional capacitance close to the load improves the response of the regulator to load transients.
- This is the calculated maximum capacitance. The minimum ESR limitation often results in a lower value. See the capacitor application information for further guidance.
- This is the typical ESR for all the electrolytic (nonceramic) capacitance. Use 14 m $\Omega$  as the minimum when calculating the total equivalent series resistance (ESR) using the maximum ESR values specified by the capacitor manufacturer.

**PIN ASSIGNMENT**

**TERMINAL FUNCTIONS**

TERMINAL		I/O	DESCRIPTION
NAME	NO.		
V <sub>I</sub>	1	I	The positive input voltage power node to the module, which is referenced to common GND.
GND	2		This is the common ground connection for the V <sub>I</sub> and V <sub>O</sub> power connections. It is also the 0-Vdc reference for the <i>Inhibit</i> and V <sub>O</sub> <i>Adjust</i> control inputs.
V <sub>O</sub>	3	O	The regulated positive power output with respect to the GND node.
V <sub>O</sub> Adjust	4	I	A 1% resistor must be connected between this pin and GND (pin 2) to set the output voltage of the module higher than 0.9 V. If left open-circuit, the output voltage defaults to this value. The temperature stability of the resistor should be 100 ppm/°C (or better). The set-point range is from 0.9 V to 5.5 V. The electrical specification table gives the standard resistor value for a number of common output voltages. See the application information for further guidance.
<u>Inhibit</u>	5	I	The Inhibit pin is an open-collector/drain-negative logic input that is referenced to GND. Applying a low-level ground signal to this input disables the module's output. When the Inhibit control is active, the input current drawn by the regulator is significantly reduced. If the Inhibit pin is left open-circuit, the module produces an output voltage whenever a valid input source is applied. Do not place an external pull-up on this pin.

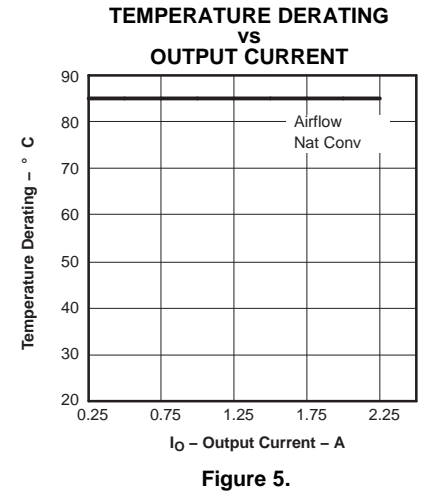
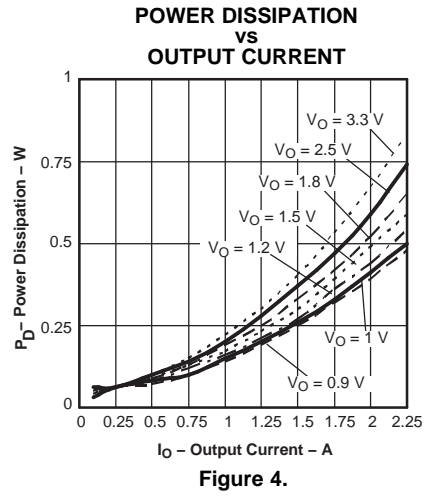
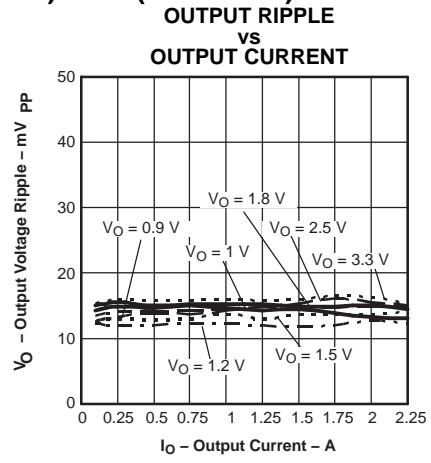
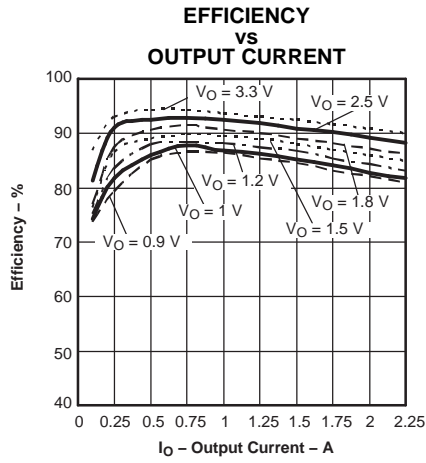


**Figure 1. Terminal Location**

**TYPICAL CHARACTERISTICS (5-V INPUT) <sup>(1)</sup> <sup>(2)</sup>**

- (1) The electrical characteristic data has been developed from actual products tested at 25°C. This data is considered typical for the converter. Applies to [Figure 2](#), [Figure 3](#), and [Figure 4](#).
- (2) The temperature derating curves represent the conditions at which internal components are at or below the manufacturer's maximum operating temperatures. Derating limits apply to modules soldered directly to a 100-mm x 100-mm, double-sided PCB with 2-oz. copper. Applies to [Figure 5](#).

TYPICAL CHARACTERISTICS (5-V INPUT) <sup>(3)</sup> <sup>(4)</sup> (continued)



TYPICAL CHARACTERISTICS (12-V INPUT) (1) (2)

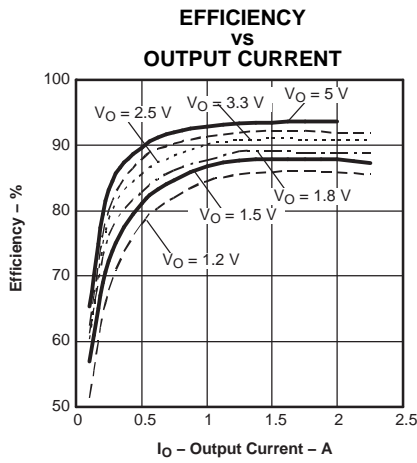


Figure 6.

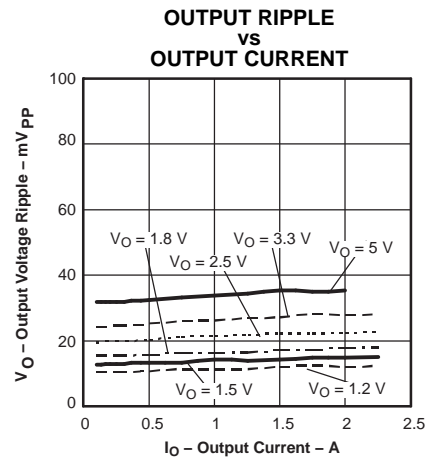


Figure 7.

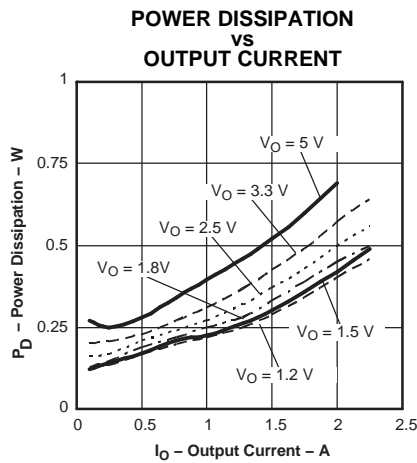


Figure 8.

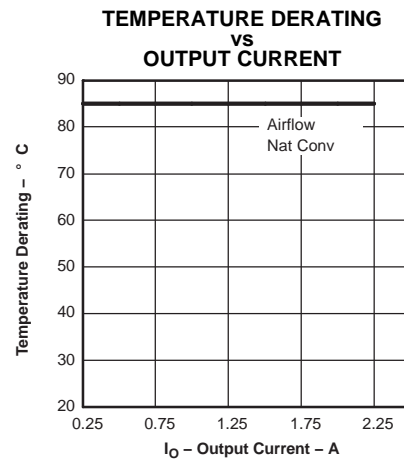


Figure 9.

- (1) The electrical characteristic data has been developed from actual products tested at 25°C. This data is considered typical for the converter. Applies to [Figure 6](#), [Figure 7](#), and [Figure 8](#).
- (2) The temperature derating curves represent the conditions at which internal components are at or below the manufacturer's maximum operating temperatures. Derating limits apply to modules soldered directly to a 100-mm x 100-mm, double-sided PCB with 2-oz. copper. Applies to [Figure 9](#).

## APPLICATION INFORMATION

### Adjusting the Output Voltage of the PTH08080W Wide-Output Adjust Power Modules

The  $V_O$  Adjust control (pin 4) sets the output voltage of the PTH08080W product. The adjustment range is from 0.9 V to 5.5 V. The adjustment method requires the addition of a single external resistor,  $R_{SET}$ , that must be connected directly between the  $V_O$  Adjust and GND (pin 2). Table 1 gives the standard external resistor for a number of common bus voltages, along with the actual voltage the resistance produces.

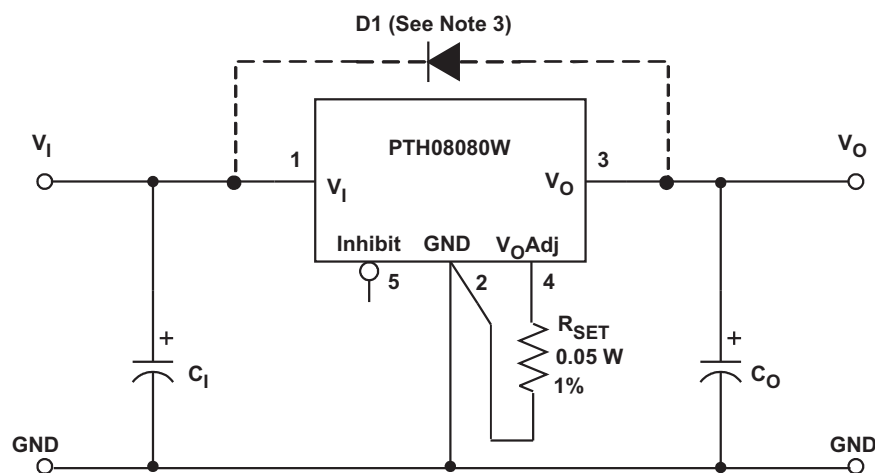
For other output voltages, the value of the required resistor can either be calculated using the following formula, or simply selected from the range of values given in Table 2. Figure 10 shows the placement of the required resistor.

$$R_{SET} = 10 \text{ k}\Omega \times \frac{0.891 \text{ V}}{V_{out} - 0.9 \text{ V}} - 1.82 \text{ k}\Omega$$

**Table 1. Standard Values of  $R_{SET}$  for Common Output Voltages**

$V_O$ (Required)	$R_{set}$ (Standard Value)	$V_O$ (Actual)
5 V <sup>(1)</sup>	348 $\Omega$	5.010 V
3.3 V	1.87 k $\Omega$	3.315 V
2.5 V	3.74 k $\Omega$	2.503 V
2 V	6.19 k $\Omega$	2.012 V
1.8 V	8.06 k $\Omega$	1.802 V
1.5 V <sup>(2)</sup>	13.0 k $\Omega$	1.501 V
1.2 V <sup>(2)</sup>	27.4 k $\Omega$	1.205 V
1 V <sup>(2)</sup>	86.6 k $\Omega$	1.001 V
0.9 V <sup>(2)</sup>	Open	0.9 V

- (1) The minimum input voltage is 4.5 V or ( $V_O + 1.1$ ) V, whichever is greater.
- (2) The maximum input voltage is 18 V or ( $V_O \times 10$ ) V, whichever is lesser.



- (1) A 0.05-W rated resistor may be used. The tolerance should be 1%, with a temperature stability of 100 ppm/ $^{\circ}$ C (or better). Place the resistor as close to the regulator as possible. Connect the resistor directly between pins 4 and 2 using dedicated PCB traces.
- (2) Never connect capacitors from  $V_O$  Adjust to either GND or  $V_O$ . Any capacitance added to the  $V_O$  Adjust pin affects the stability of the regulator.
- (3) The protection diode,  $D_1$ , is required whenever the output voltage setpoint is adjusted to 5.25 V (or higher) and  $V_I$  is 16 V or greater.

**Figure 10.  $V_O$  Adjust Resistor Placement**

**Table 2. Calculated Set-Point Resistor Values**

$V_a$ Required	$R_{set}$	$V_a$ Required	$R_{set}$	$V_a$ Required	$R_{set}$
0.900	Open	1.800	8.08 k $\Omega$	3.700	1.36 k $\Omega$
0.925	355 k $\Omega$	1.850	7.56 k $\Omega$	3.750	1.32 k $\Omega$
0.950	176 k $\Omega$	1.900	7.09 k $\Omega$	3.800	1.25 k $\Omega$
0.975	117 k $\Omega$	1.950	6.67 k $\Omega$	3.850	1.20 k $\Omega$
1.000	87.2 k $\Omega$	2.000	6.28 k $\Omega$	3.900	1.15 k $\Omega$
1.025	69.5 k $\Omega$	2.050	5.92 k $\Omega$	3.950	1.10 k $\Omega$
1.050	57.6 k $\Omega$	2.100	5.61 k $\Omega$	4.000	1.05 k $\Omega$
1.075	49.1 k $\Omega$	2.150	5.31 k $\Omega$	4.050	1.01 k $\Omega$
1.100	42.7 k $\Omega$	2.200	5.03 k $\Omega$	4.100	964 $\Omega$
1.125	37.8 k $\Omega$	2.250	4.78 k $\Omega$	4.150	922 $\Omega$
1.150	33.8 k $\Omega$	2.300	4.54 k $\Omega$	4.200	880 $\Omega$
1.175	30.6 k $\Omega$	2.350	4.33 k $\Omega$	4.250	840 $\Omega$
1.200	27.9 k $\Omega$	2.400	4.12 k $\Omega$	4.300	801 $\Omega$
1.225	25.6 k $\Omega$	2.450	3.93 k $\Omega$	4.350	763 $\Omega$
1.250	23.6 k $\Omega$	2.500	3.75 k $\Omega$	4.400	726 $\Omega$
1.275	21.9 k $\Omega$	2.550	3.58 k $\Omega$	4.450	690 $\Omega$
1.300	20.5 k $\Omega$	2.600	3.42 k $\Omega$	4.500	655 $\Omega$
1.325	19.1 k $\Omega$	2.650	3.27 k $\Omega$	4.550	621 $\Omega$
1.350	17.9 k $\Omega$	2.700	3.13 k $\Omega$	4.600	588 $\Omega$
1.375	16.9 k $\Omega$	2.750	2.99 k $\Omega$	4.650	556 $\Omega$
1.400	14.6 k $\Omega$	2.800	2.87 k $\Omega$	4.700	525 $\Omega$
1.425	13.7 k $\Omega$	2.850	2.75 k $\Omega$	4.750	494 $\Omega$
1.450	13.0 k $\Omega$	2.900	2.64 k $\Omega$	4.800	465 $\Omega$
1.475	13.7 k $\Omega$	2.950	2.53 k $\Omega$	4.850	436 $\Omega$
1.500	13.0 k $\Omega$	3.000	2.42 k $\Omega$	4.900	408 $\Omega$
1.525	12.4 k $\Omega$	3.050	2.32 k $\Omega$	4.950	380 $\Omega$
1.550	11.9 k $\Omega$	3.100	2.23 k $\Omega$	5.000	353 $\Omega$
1.575	11.4 k $\Omega$	3.150	2.14 k $\Omega$	5.050	327 $\Omega$
1.600	10.9 k $\Omega$	3.200	2.05 k $\Omega$	5.100	301 $\Omega$
1.625	10.5 k $\Omega$	3.250	1.97 k $\Omega$	5.150	276 $\Omega$
1.650	10.0 k $\Omega$	3.300	1.89 k $\Omega$	5.200	252 $\Omega$
1.675	9.68 k $\Omega$	3.350	1.82 k $\Omega$	5.250	228 $\Omega$
1.700	9.32 k $\Omega$	3.400	1.74 k $\Omega$	5.300	205 $\Omega$
1.725	8.98 k $\Omega$	3.450	1.67 k $\Omega$	5.350	182 $\Omega$
1.750	8.66 k $\Omega$	3.500	1.61 k $\Omega$	5.400	160 $\Omega$
1.775	8.36 k $\Omega$	3.550	1.54 k $\Omega$	5.450	138 $\Omega$
1.800	8.08 k $\Omega$	3.600	1.48 k $\Omega$	5.500	117 $\Omega$
1.825	7.81 k $\Omega$	3.650	1.42 k $\Omega$		



## CAPACITOR RECOMMENDATIONS FOR THE PTH08080W WIDE-OUTPUT ADJUST POWER MODULES

### Input Capacitor

The minimum recommended input capacitor is 100  $\mu\text{F}$  of capacitance. When  $V_O > 3.4\text{ V}$ , the 100- $\mu\text{F}$  electrolytic capacitance must be rated for 650-mArms ripple current. For  $V_O < 3.4\text{ V}$ , the ripple current rating must be at least 500 mArms. The ripple current rating of electrolytic capacitors is a major consideration when they are used at the input.

When specifying regular tantalum capacitors for use at the input, a minimum voltage rating of  $2 \times$  (maximum dc voltage + ac ripple) is highly recommended. This is standard practice to ensure reliability. Polymer-tantalum capacitors are not affected by this requirement.

For improved ripple reduction on the input bus, ceramic capacitors can also be added to complement the required electrolytic capacitance.

### Output Capacitors (Optional)

No output capacitance is required for normal operation. However, applications with load transients (sudden changes in load current) can benefit by adding external output capacitance. A 100- $\mu\text{F}$  electrolytic or ceramic capacitor can be used to improve transient response. Adding a 100- $\mu\text{F}$  nonceramic capacitor allows the module to meet its transient response specification. A high-quality computer-grade electrolytic capacitor should be adequate.

Electrolytic capacitors should be located close to the load circuit. These capacitors provide decoupling over the frequency range, 2 kHz to 150 kHz. Aluminum electrolytic capacitors are suitable for ambient temperatures above  $0^\circ\text{C}$ . For operation below  $0^\circ\text{C}$ , tantalum or Os-Con-type capacitors are recommended. When using one or more nonceramic capacitors, the calculated equivalent ESR should be no lower than 10 m  $\Omega$  (14 m $\Omega$  using the manufacturer's maximum ESR for a single capacitor). A list of preferred low-ESR-type capacitors are identified in [Table 3](#), the recommended capacitor table.

### Ceramic Capacitors

Above 150 kHz, the performance of aluminum electrolytic capacitors becomes less effective. To further improve the reflected input ripple current, or the output transient response, multilayer ceramic capacitors must be added. Ceramic capacitors have low ESR and their resonant frequency is higher than the bandwidth of the regulator. When placed at the output their combined ESR is not critical as long as the total value of ceramic capacitance does not exceed 200  $\mu\text{F}$ . Also, to prevent the formation of local resonances, do not exceed the maximum number of capacitors specified in the capacitor table.

### Tantalum Capacitors

Additional tantalum-type capacitors can be used at both the input and output, and are recommended for applications where the ambient operating temperature can be less than  $0^\circ\text{C}$ . The AVX TPS, Sprague 593D/594/595, and Kemet T495/T510/T520 capacitors series are suggested over many other tantalum types due to their rated surge, power dissipation, and ripple current capability. As a caution, many general-purpose tantalum capacitors have considerably higher ESR, reduced power dissipation, and lower ripple current capability. These capacitors are also less reliable as they have lower power dissipation and surge current ratings. Tantalum capacitors that do not have a stated ESR or surge current rating are not recommended for power applications. When specifying Os-Con and polymer tantalum capacitors for the output, the minimum ESR limit is encountered well before the maximum capacitance value is reached.

### Capacitor Table

The capacitor table, [Table 3](#), identifies the characteristics of capacitors from a number of vendors with acceptable ESR and ripple current (rms) ratings. The recommended number of capacitors required at both the input and output buses is identified for each capacitor type. This is not an extensive capacitor list. Capacitors from other vendors are available with comparable specifications. Those listed are for guidance. The rms rating and ESR (at 100 kHz) are critical parameters necessary to ensure both optimum regulator performance and long capacitor life.

## Designing for Load Transients

The transient response of the dc/dc converter has been characterized using a load transient with a di/dt of 1 A/μs. The typical voltage deviation for this load transient is given in the data-sheet specification table with the optional value of output capacitance. As the di/dt of a transient is increased, the response of a converter's regulation circuit ultimately depends on its output capacitor decoupling network. This is an inherent limitation with any dc/dc converter once the speed of the transient exceeds its bandwidth capability. If the target application specifies a higher di/dt or lower voltage deviation, the requirement can only be met with additional output capacitor decoupling. In these cases, special attention must be paid to the type, value, and ESR of the capacitors selected.

If the transient performance requirements exceed those specified in the data sheet, the selection of output capacitors becomes more important. Review the minimum ESR in the characteristic data sheet for details on the capacitance maximum.

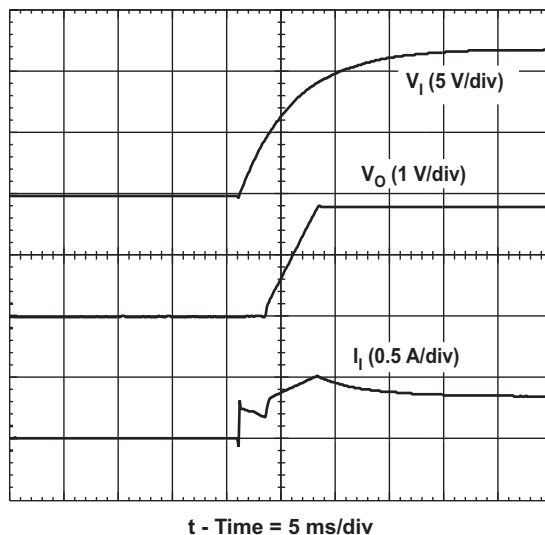
**Table 3. Recommended Input/Output Capacitors**

CAPACITOR VENDOR/ COMPONENT SERIES	CAPACITOR CHARACTERISTICS					QUANTITY		VENDOR NUMBER
	WORKING VOLTAGE (V)	VALUE (μF)	EQUIVALENT SERIES RESISTANCE (ESR) (Ω)	85°C MAXIMUM RIPPLE CURRENT (I <sub>rms</sub> ) (mA)	PHYSICAL SIZE (mm)	INPUT BUS <sup>(1)</sup>	OUTPUT BUS (Optional)	
Panasonic WA (SMT)	20	150	0.026	3700	10 × 10,2	1	≤ 2	EEFWA1D151P
FC (SMT)	25	220	0.150	670	10 × 10,2	1	1	EEVFC1E221P
Panasonic SL	6.3	47	0.018	2500	7,3 × 4,3	N/R <sup>(2)</sup>	≤ 3	EEFCD0J470R
SP-cap(SMT)	6.3	120	0.007	3500	7,3 × 4,3	N/R <sup>(2)</sup>	≤ 1	EEFSD0J121R
United Chemi-con PXA (SMT)	16	150	0.026	3400	10 × 7,7	1	≤ 2	PXA16VC151MJ80TP V <sub>I</sub> < 14 V
PS	25	100	0.020	4300	10 × 12,5	1	≤ 2	25PS100MJ12
LXZ	35	220	0.180	760	10 × 12,5	1	1	LXZ35VB221M10X12LL
MVZ (SMT)	25	470	0.090	670	10 × 10	1	1	MVZ25VC471MJ10TP
Nichicon UWG (SMT)	35	100	0.150	670	10 × 10	1	1	UWG1V101MNR1GS
F559(Tantalum)	10	100	0.055	2000	7,7 × 4,3	N/R <sup>(3)</sup>	≤ 3	F551A107MN
HD	25	220	0.072	760	8 × 11,5	1	1	UHD1E221MPR
Sanyo Os-con\ POS-Cap SVP (SMT)	10	68	0.025	2400	7,3 × 4,3	N/R <sup>(2)</sup>	≤ 2	10TPE68M
SP	20	150	0.020	4320	10 × 12,7	1	≤ 1	20SVP150M
	20	120	0.024	3110	8 × 10,5	1	≤ 2	20SP120M
AVX Tantalum TPS (SMD)	35	47	0.100	1430	7,3 × 4,3 × 4,1	2	≤ 4	TPSV476M035R0100
	25	47	0.100	1150	7,3 × 4,3 × 4,1	2	≤ 4	TPSE476M025R0100 V <sub>I</sub> < 13 V
Kemet T520 (SMD)	10	100	0.025	> 2000	7,3 × 5,7 × 4	N/R <sup>(2)</sup>	≤ 1	T520V107M010ASE025
AO-CAP	6.3	100	0.018	> 2900	7,3 × 5,7 × 4	N/R <sup>(2)</sup>	≤ 1	A700V107M006AT
Vishay/Sprague 594D/SVP(SMD)	35	47	0.280	> 1000	7,3 × 6 × 4,1	2	≤ 5	595D476X0035R2T
	20	100	0.025	3200	8 × 12	1	≤ 2	94SVP107X0020E12
94SS	20	150	0.030	3200	10 × 10,5	1	≤ 2	94SS157X0020FBP
Murata Ceramic X5R	16	47	0.002	> 1400	3225	1 <sup>(4)</sup>	≤ 3	GRM32ER61C476M V <sub>I</sub> < 14 V
TDK ceramic X5R	6.3	47	0.002	> 1400	3225	N/R <sup>(2)</sup>	≤ 3	C3225X5R0J476MT V <sub>O</sub> < 5.5 V
Kemet Ceramic X5R	6.3	47	0.002	> 1400	3225	N/R <sup>(2)</sup>	≤ 3	C1210C476K9PAC V <sub>O</sub> < 5.5 V
TDK Ceramic X7R	25	10	0.002	> 1400	3225	1 <sup>(4)</sup>	≤ 4	C3225X7R1E106K
Murata Ceramic X5R	25	10	0.002	> 1400	3225	1 <sup>(4)</sup>	≤ 4	GRM32DR61E106KA12
Kemet	16	10	0.002	> 1400	3225	1 <sup>(4)</sup>	≤ 4	C1210C106M4PAC V <sub>I</sub> < 14 V
TDK Ceramic X7R	25	2.2	0.002	> 1400	3225	1	1	C3225X7R1E225KT/MT
Murata Ceramic X7R	25	2.2	0.002	> 1400	3225	1	1	GRM32RR71J225KC01L
Kemet	25	2.2	0.002	> 1400	3225	1	1	C1210C225K3RAC

- (1) The voltage rating of the input capacitor must be selected for the desired operating input voltage range of the regulator. To operate the regulator at a higher input voltage, select a capacitor with a higher voltage rating.
- (2) Not recommended (N/R). The voltage rating of this capacitor only allows it to be used for output voltages bus and voltage of < 5.5 V.
- (3) The voltage rating of the input capacitor must be selected for the desired operating input voltage range of the regulator. To operate the regulator at a higher input voltage, select a capacitor with a higher voltage rating.
- (4) Ceramic capacitors can be used to complement electrolytic types at the input bus by reducing high-frequency ripple current.

## Power-Up Characteristics

When configured per the standard application, the PTH08080 power module produces a regulated output voltage following the application of a valid input source voltage. During power up, internal soft-start circuitry slows the rate that the output voltage rises, thereby limiting the amount of in-rush current that can be drawn from the input source. Figure 11 shows the power-up waveforms for a PTH08080W, operating from a 12-V input and with the output voltage adjusted to 1.8 V. The waveforms were measured with a 2-A resistive load.



**Figure 11. Power-Up Waveforms**

## Current Limit Protection

The PTH08080 modules protect against load faults with an output overcurrent trip. Under a load fault condition, the output current cannot exceed the current limit value. Attempting to draw current that exceeds the current limit value causes the output voltage to enter into a *hiccup* mode of operation, whereby the module continues in a cycle of successive shutdown and power up until the load fault is removed. On removal of the fault, the output voltage promptly recovers.

## Thermal Shutdown

Thermal shutdown protects the module internal circuitry against excessively high temperatures. A rise in temperature may be the result of a drop in airflow, a high ambient temperature, or a higher than normal output current. If the junction temperature of the internal components exceeds 165°C, the module shuts down. This reduces the output voltage to zero. The module starts up automatically, by initiating a soft-start power up when the sensed temperature decreases 10°C below the thermal shutdown trip-point.

## Output On/Off Inhibit

For applications requiring output voltage on/off control, the PTH08080 power module incorporates an output on/off Inhibit control (pin 5). The inhibit feature can be used wherever there is a requirement for the output voltage from the regulator to be turned off.

The power module functions normally when the Inhibit pin is left open-circuit, providing a regulated output whenever a valid source voltage is connected to  $V_I$  with respect to GND.

Figure 12 shows the typical application of the inhibit function. Note the discrete transistor (Q1). The Inhibit control has its own internal pull-up to 3 volts. An open-collector or open-drain device is recommended to control this input. **Do not place an external pull-up on this pin.**

Turning Q1 on applies a low voltage to the *Inhibit* control pin and disables the output of the module. If Q1 is then turned off, the module executes a soft-start power-up sequence. A regulated output voltage is produced within 20 ms. Figure 13 shows the typical rise in the output voltage, following the turn off of Q1. The turn off of Q1 corresponds to the rise in the waveform, Q1  $V_{DS}$ . The waveforms were measured with a 2-A resistive load.

PTH08080W

SLTS235D – FEBRUARY 2005 – REVISED SEPTEMBER 2013

www.ti.com

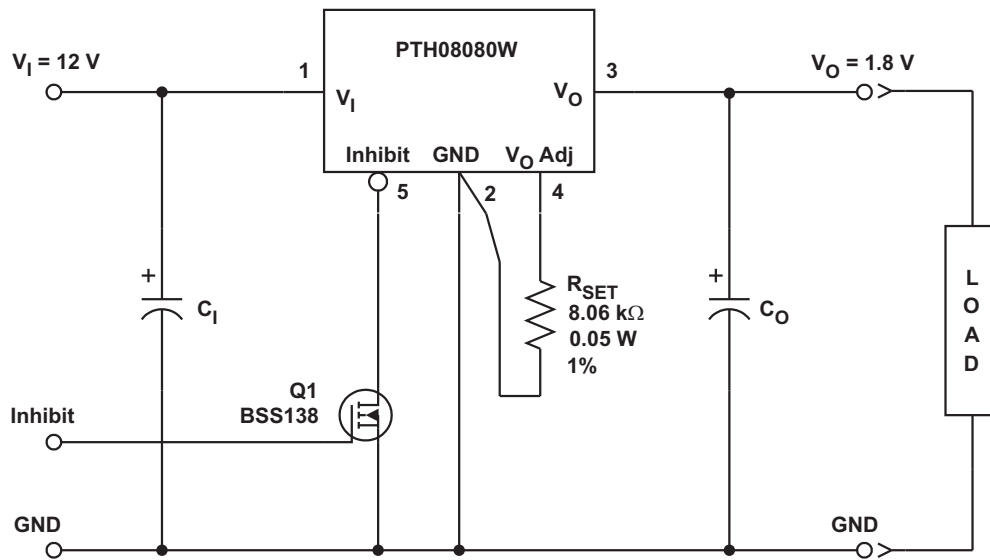


Figure 12. On/Off Inhibit Control Circuit

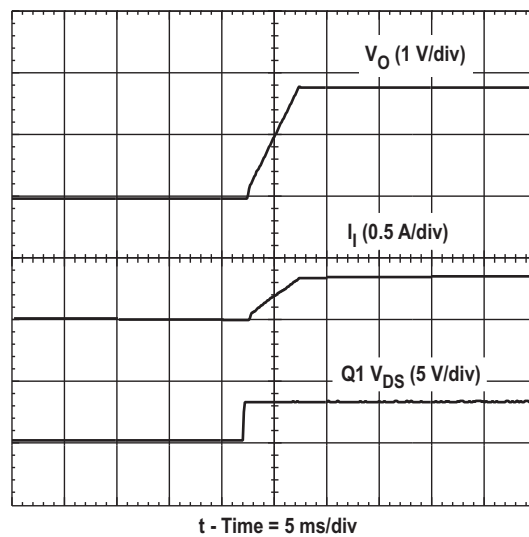


Figure 13. Power-Up Response From Inhibit Control

---

**REVISION HISTORY**

<b>Changes from Revision C (February 2008) to Revision D</b>	<b>Page</b>
<ul style="list-style-type: none"><li>Changed pin number to pin 2 in reference to GND for the <math>V_{OAdj}</math> pin description in the <i>TERMINAL FUNCTIONS</i> table. ....</li></ul>	<b>4</b>

---

## PACKAGING INFORMATION

Orderable Device	Status (1)	Package Type	Package Drawing	Pins	Package Qty	Eco Plan (2)	Lead finish/ Ball material (6)	MSL Peak Temp (3)	Op Temp (°C)	Device Marking (4/5)	Samples
PTH08080WAD	ACTIVE	Through-Hole Module	EUFB	5	90	RoHS Exempt & Green	SN	N / A for Pkg Type	-40 to 85		<a href="#">Samples</a>
PTH08080WAH	ACTIVE	Through-Hole Module	EUFB	5	90	RoHS Exempt & Green	SN	N / A for Pkg Type	-40 to 85		<a href="#">Samples</a>
PTH08080WAS	ACTIVE	Surface Mount Module	EUG	5	90	Non-RoHS & Green	SNPB	Level-1-235C-UNLIM/ Level-3-260C-168HRS	-40 to 85		<a href="#">Samples</a>
PTH08080WAST	ACTIVE	Surface Mount Module	EUG	5	250	Non-RoHS & Green	SNPB	Level-1-235C-UNLIM/ Level-3-260C-168HRS	-40 to 85		<a href="#">Samples</a>
PTH08080WAZ	ACTIVE	Surface Mount Module	EUG	5	90	RoHS Exempt & Green	SNAGCU	Level-3-260C-168 HR	-40 to 85		<a href="#">Samples</a>
PTH08080WAZT	ACTIVE	Surface Mount Module	EUG	5	250	RoHS (In Work) & Green	SNAGCU	Level-3-260C-168 HR	-40 to 85		<a href="#">Samples</a>
PTH08080WBH	ACTIVE	Through-Hole Module	EUFB	5	90	RoHS (In Work) & Green (In Work)	Call TI	N / A for Pkg Type			<a href="#">Samples</a>

(1) The marketing status values are defined as follows:

**ACTIVE:** Product device recommended for new designs.

**LIFEBUY:** TI has announced that the device will be discontinued, and a lifetime-buy period is in effect.

**NRND:** Not recommended for new designs. Device is in production to support existing customers, but TI does not recommend using this part in a new design.

**PREVIEW:** Device has been announced but is not in production. Samples may or may not be available.

**OBSELETE:** TI has discontinued the production of the device.

(2) **RoHS:** TI defines "RoHS" to mean semiconductor products that are compliant with the current EU RoHS requirements for all 10 RoHS substances, including the requirement that RoHS substance do not exceed 0.1% by weight in homogeneous materials. Where designed to be soldered at high temperatures, "RoHS" products are suitable for use in specified lead-free processes. TI may reference these types of products as "Pb-Free".

**RoHS Exempt:** TI defines "RoHS Exempt" to mean products that contain lead but are compliant with EU RoHS pursuant to a specific EU RoHS exemption.

**Green:** TI defines "Green" to mean the content of Chlorine (Cl) and Bromine (Br) based flame retardants meet JS709B low halogen requirements of <=1000ppm threshold. Antimony trioxide based flame retardants must also meet the <=1000ppm threshold requirement.

(3) MSL, Peak Temp. - The Moisture Sensitivity Level rating according to the JEDEC industry standard classifications, and peak solder temperature.

(4) There may be additional marking, which relates to the logo, the lot trace code information, or the environmental category on the device.

(5) Multiple Device Markings will be inside parentheses. Only one Device Marking contained in parentheses and separated by a "-" will appear on a device. If a line is indented then it is a continuation of the previous line and the two combined represent the entire Device Marking for that device.

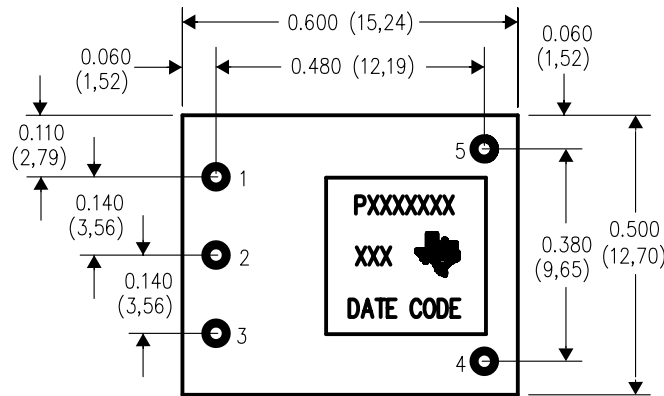
(6) Lead finish/Ball material - Orderable Devices may have multiple material finish options. Finish options are separated by a vertical ruled line. Lead finish/Ball material values may wrap to two lines if the finish value exceeds the maximum column width.

**Important Information and Disclaimer:**The information provided on this page represents TI's knowledge and belief as of the date that it is provided. TI bases its knowledge and belief on information provided by third parties, and makes no representation or warranty as to the accuracy of such information. Efforts are underway to better integrate information from third parties. TI has taken and continues to take reasonable steps to provide representative and accurate information but may not have conducted destructive testing or chemical analysis on incoming materials and chemicals. TI and TI suppliers consider certain information to be proprietary, and thus CAS numbers and other limited information may not be available for release.

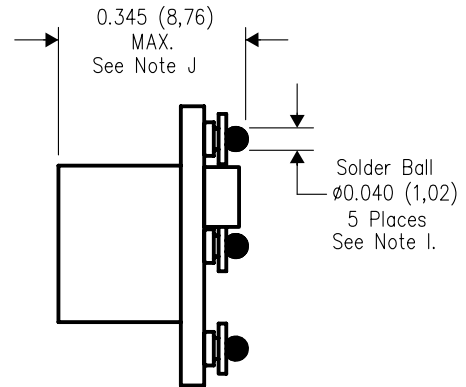
In no event shall TI's liability arising out of such information exceed the total purchase price of the TI part(s) at issue in this document sold by TI to Customer on an annual basis.

EUG (R-PDSS-B5)

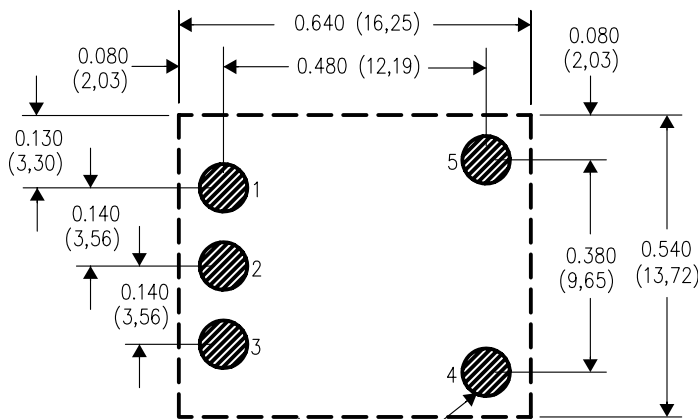
DOUBLE SIDED MODULE



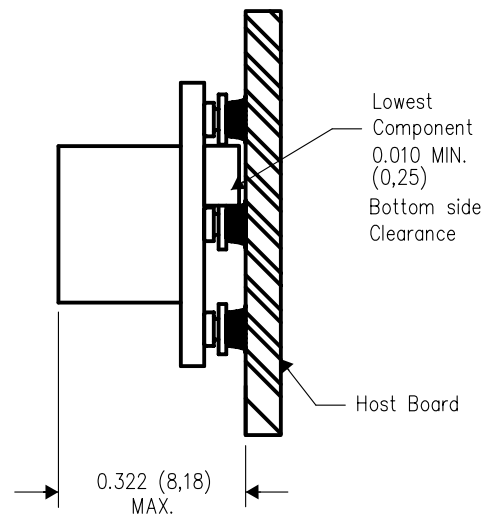
TOP VIEW



SIDE VIEW



PC LAYOUT



4206428/A 10/04

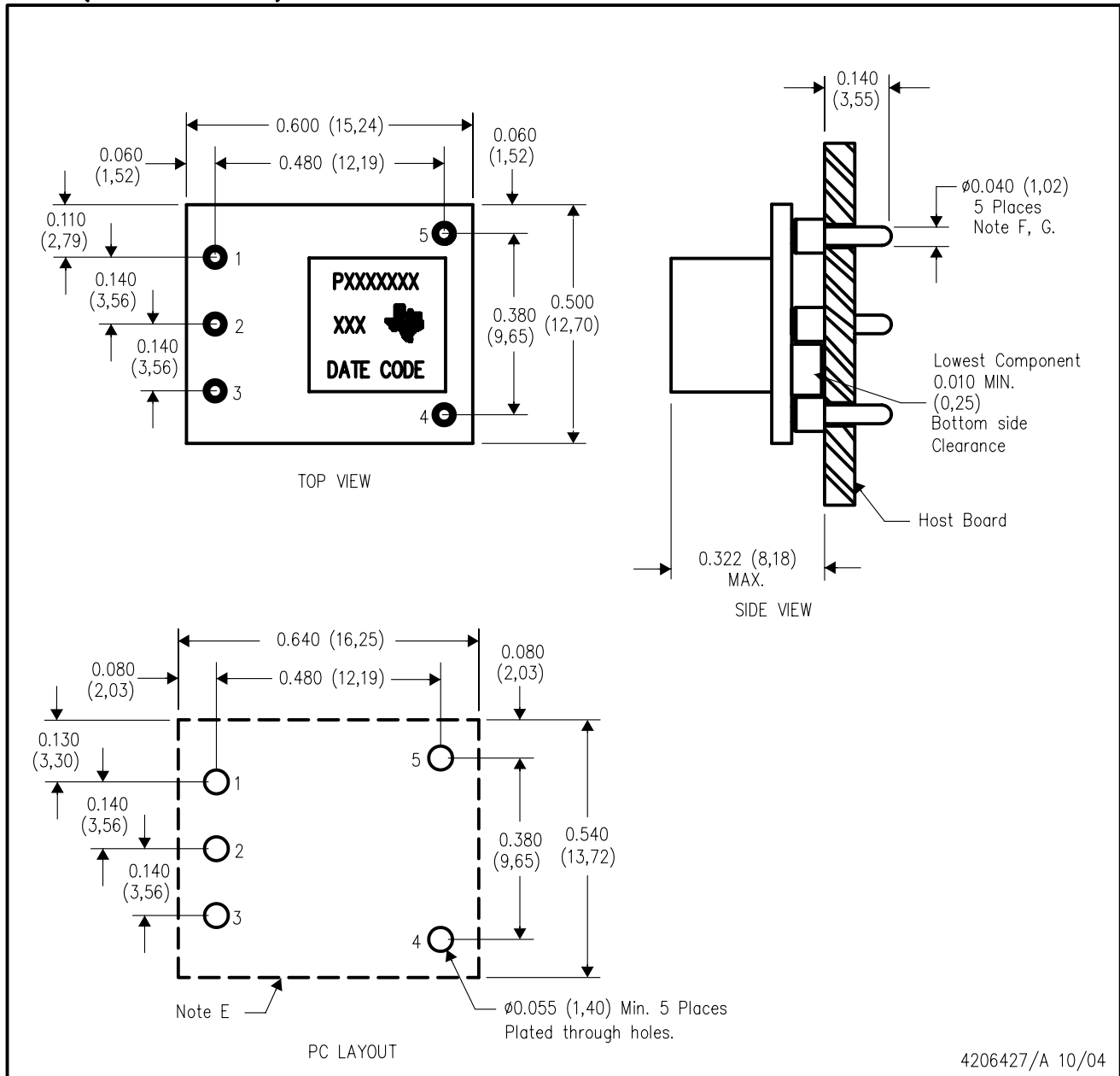
- NOTES:
- A. All linear dimensions are in inches (mm).
  - B. This drawing is subject to change without notice.
  - C. 2 place decimals are  $\pm 0.030$  ( $\pm 0,76$ mm).
  - D. 3 place decimals are  $\pm 0.010$  ( $\pm 0,25$ mm).
  - E. Recommended keep out area for user components.
  - F. Power pin connection should utilize two or more vias to the interior power plane of 0.025 (0,63) I.D. per input, ground and output pin (or the electrical equivalent).

- G. Paste screen opening: 0.080 (2,03) to 0.085 (2,16).  
Paste screen thickness: 0.006 (0,15).
- H. Pad type: Solder mask defined.
- I. All pins: Material – Copper Alloy  
Finish – Tin (100%) over Nickel plate  
Solder Ball – See product data sheet.
- J. Dimension prior to reflow solder.



EUFB (R-PDSS-T5)

DOUBLE SIDED MODULE



- NOTES:
- A. All linear dimensions are in inches (mm).
  - B. This drawing is subject to change without notice.
  - C. 2 place decimals are  $\pm 0.030$  ( $\pm 0.76$ mm).
  - D. 3 place decimals are  $\pm 0.010$  ( $\pm 0.25$ mm).
  - E. Recommended keep out area for user components.

- F. Pins are 0.040" (1,02) diameter with 0.070" (1,78) diameter standoff shoulder.
- G. All pins: Material - Copper Alloy  
Finish - Tin (100%) over Nickel plate

## IMPORTANT NOTICE AND DISCLAIMER

TI PROVIDES TECHNICAL AND RELIABILITY DATA (INCLUDING DATASHEETS), DESIGN RESOURCES (INCLUDING REFERENCE DESIGNS), APPLICATION OR OTHER DESIGN ADVICE, WEB TOOLS, SAFETY INFORMATION, AND OTHER RESOURCES "AS IS" AND WITH ALL FAULTS, AND DISCLAIMS ALL WARRANTIES, EXPRESS AND IMPLIED, INCLUDING WITHOUT LIMITATION ANY IMPLIED WARRANTIES OF MERCHANTABILITY, FITNESS FOR A PARTICULAR PURPOSE OR NON-INFRINGEMENT OF THIRD PARTY INTELLECTUAL PROPERTY RIGHTS.

These resources are intended for skilled developers designing with TI products. You are solely responsible for (1) selecting the appropriate TI products for your application, (2) designing, validating and testing your application, and (3) ensuring your application meets applicable standards, and any other safety, security, or other requirements. These resources are subject to change without notice. TI grants you permission to use these resources only for development of an application that uses the TI products described in the resource. Other reproduction and display of these resources is prohibited. No license is granted to any other TI intellectual property right or to any third party intellectual property right. TI disclaims responsibility for, and you will fully indemnify TI and its representatives against, any claims, damages, costs, losses, and liabilities arising out of your use of these resources.

TI's products are provided subject to TI's Terms of Sale (<https://www.ti.com/legal/termsofsale.html>) or other applicable terms available either on [ti.com](https://www.ti.com) or provided in conjunction with such TI products. TI's provision of these resources does not expand or otherwise alter TI's applicable warranties or warranty disclaimers for TI products.

Mailing Address: Texas Instruments, Post Office Box 655303, Dallas, Texas 75265  
Copyright © 2021, Texas Instruments Incorporated