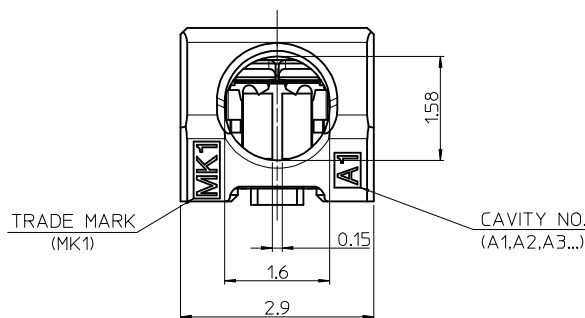
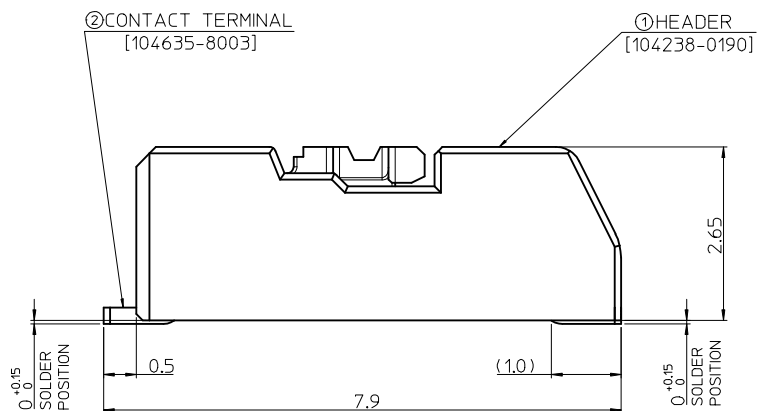


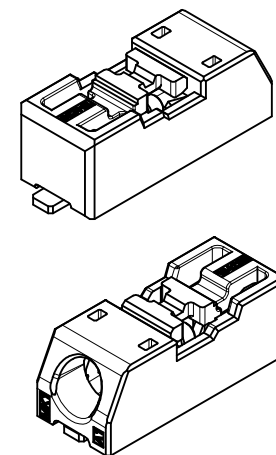
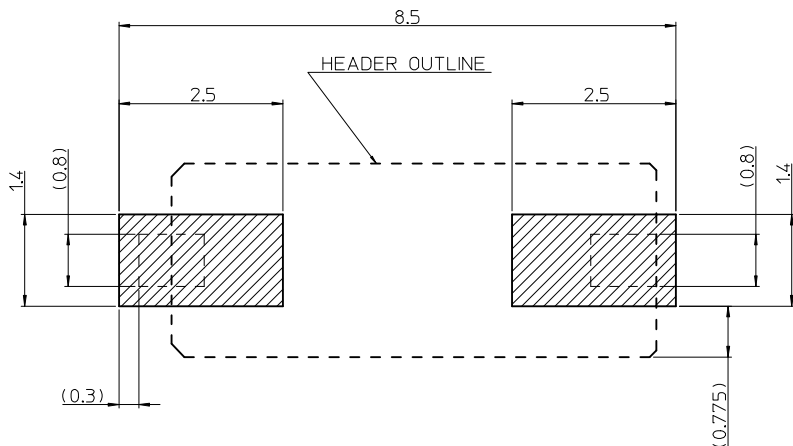
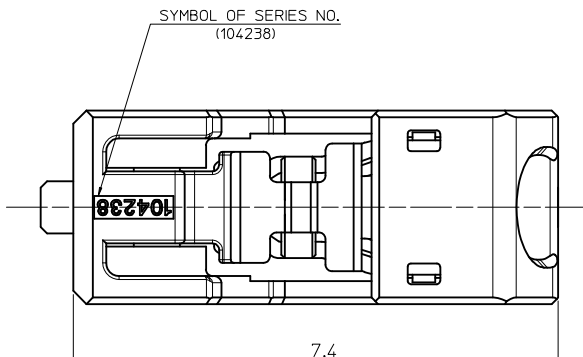
RECOMMENDED PCB LAYOUT
[GENERAL TOLERANCE : ±0.05]



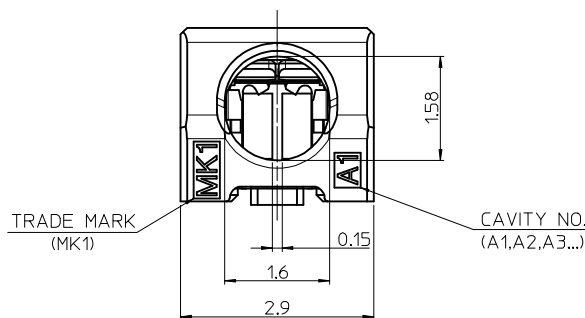
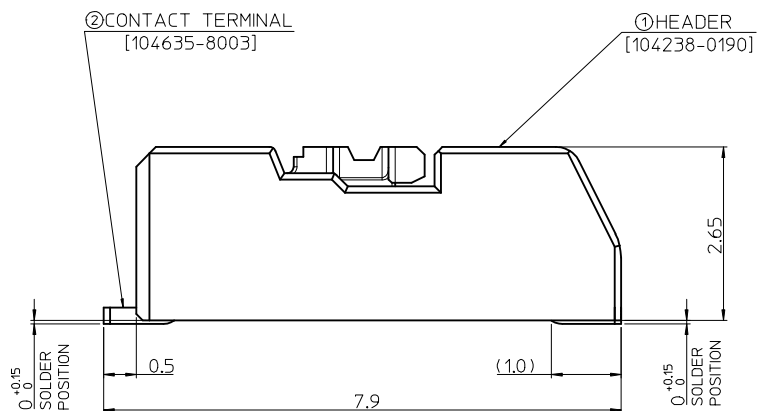
NOTE

- MATERIAL
 - ①- HEADER : LCP, GLASS FILLED, UL94V-0 HALOGEN FREE, COLOR OF NATURAL
 - ②- CONTACT TERMINAL : COPPER-ALLOY, 0.25mm THICKNESS
- PLATING
 - CONTACT TERMINAL : TIN -PLATED 0.84μm MINIMUM TIN PLATING
- PRODUCT SPECIFICATION : PS-104238-001
- PACKAGING SPECIFICATION : PK-104238-001
- COPLANALITY OF SOLDER TAILS (PEAK TEMP. : 260°C), BEFORE & AFTER REFLOW : 0.08 MAX.
- APPLICABLE SOLIDE WIRE RANGE : (OUTSIDE WIRE INSULATION : 1.48mm DIAMETER MAX.)
 - SOLID WIRE : AWG #26~#22

RELEASED EC NO: KOR2015-0096 DRWN: SCHONG03 2015/01/12 CHKD: SHCHU 2015/01/12 APPR: YSK1M02 2015/03/30	QUALITY SYMBOLS ▽=0 ▽=0	GENERAL TOLERANCES (UNLESS SPECIFIED)		DIMENSION STYLE MM ONLY		SCALE 13:1	DESIGN UNITS METRIC	THIRD ANGLE PROJECTION		
			mm	INCH	DRAWN BY	DATE	TITLE			
		4 PLACES	± ---	± ---	SCHONG03	2015/01/12	MINI LITE TRAP CONNECTOR HEADER ASS'Y -1P			
		3 PLACES	± ---	± ---	CHECKED BY	DATE				
	± 0.15	± ---	SHCHU	2015/01/12	molex					
2 PLACES	± 0.20	± ---	APPROVED BY	DATE						
	± ---	± ---	YSK1M02	2015/03/30	MATERIAL NO.	DOCUMENT NO.	SHEET NO.			
	ANGULAR ± 3 °		DRAFT WHERE APPLICABLE MUST REMAIN WITHIN DIMENSIONS		1042380110	SD-104238-001	1 OF 1			
					THIS DRAWING CONTAINS INFORMATION THAT IS PROPRIETARY TO MOLEX INCORPORATED AND SHOULD NOT BE USED WITHOUT WRITTEN PERMISSION					



RECOMMENDED PCB LAYOUT
[GENERAL TOLERANCE : ±0.05]



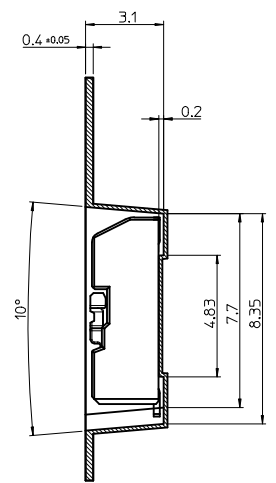
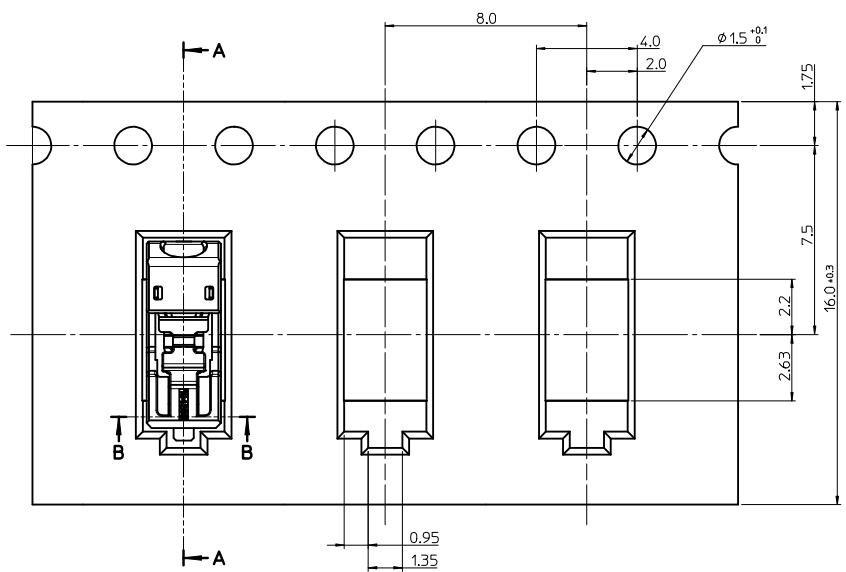
NOTE

- MATERIAL
 - ①- HEADER : LCP, GLASS FILLED, UL94V-0 HALOGEN FREE, COLOR OF NATURAL
 - ②- CONTACT TERMINAL : COPPER-ALLOY, 0.25mm THICKNESS
- PLATING
 - CONTACT TERMINAL : TIN -PLATED 0.84μm MINIMUM TIN PLATING
- PRODUCT SPECIFICATION : PS-104238-001
- PACKAGING SPECIFICATION : PK-104238-001
- COPLANALITY OF SOLDER TAILS (PEAK TEMP. : 260°C), BEFORE & AFTER REFLOW : 0.08 MAX.
- APPLICABLE SOLIDE WIRE RANGE : (OUTSIDE WIRE INSULATION : 1.48mm DIAMETER MAX.)
 - SOLID WIRE : AWG #26~#22

RELEASED EC NO: KOR2015-0096 DRWN: SCHONG03 2015/01/12 CHKD: SHCHU 2015/01/12 APPR: YSK1M02 2015/03/30	QUALITY SYMBOLS	GENERAL TOLERANCES (UNLESS SPECIFIED)	DIMENSION STYLE	SCALE	DESIGN UNITS	THIRD ANGLE PROJECTION
	▼=0 ▽=0	mm INCH 4 PLACES ± --- ± --- 3 PLACES ± --- ± --- 2 PLACES ± 0.15 ± --- 1 PLACE ± 0.20 ± --- 0 PLACE ± --- ± ---	MM ONLY	13:1	METRIC	
	ANGULAR ± 3 ° DRAFT WHERE APPLICABLE MUST REMAIN WITHIN DIMENSIONS	DRAWN BY DATE SCHONG03 2015/01/12 CHECKED BY DATE SHCHU 2015/01/12 APPROVED BY DATE YSK1M02 2015/03/30	TITLE	MINI LITE TRAP CONNECTOR HEADER ASS'Y -1P		
		MATERIAL NO. 1042380110	DOCUMENT NO. SD-104238-001	SHEET NO. 1 OF 1		



THIS DRAWING CONTAINS INFORMATION THAT IS PROPRIETARY TO MOLEX INCORPORATED AND SHOULD NOT BE USED WITHOUT WRITTEN PERMISSION

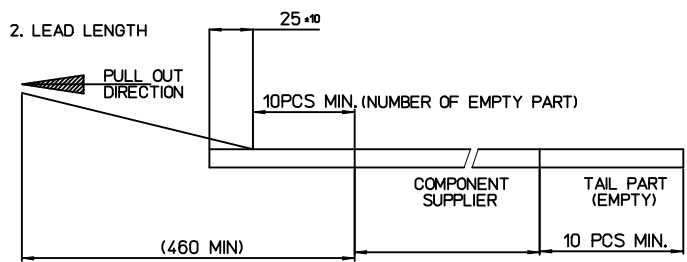


Section A-A

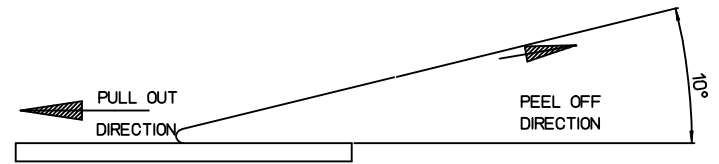
NOTES

1. QUANTITY OF CONNECTORS : 3,500 PCS/REEL

2. LEAD LENGTH



3. PEELING OFF FORCE OF COVER TAPE : 0.1N~0.59N(10.2GF~60GF)
 (PEELING DIRECTION AS SHOW IN FOLLOW FIG.)
 PEELING OFF SPEED : 300mm/Min.(Ref.)

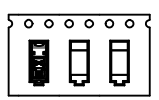


4. FLASH IN ANY PORTION SHOULD BE LESS THAN 0.20mm MAX.
 5. UNLESS OTHERWISE SPECIFIED INNER R0.2 MAX

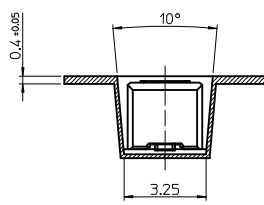
[TABLE]

1042380110	104238-0110	NATURAL	16.0mm	104238-9001
MATERIAL NO.	NO.	COLOR	TAPE WIDTH	EMBOSS TAPE
	CONNECTOR			

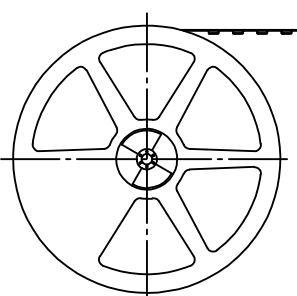
PULL OUT DIRECTION →



PULL OUT DIRECTION →



Section B-B



PLASTIC BOBBIN

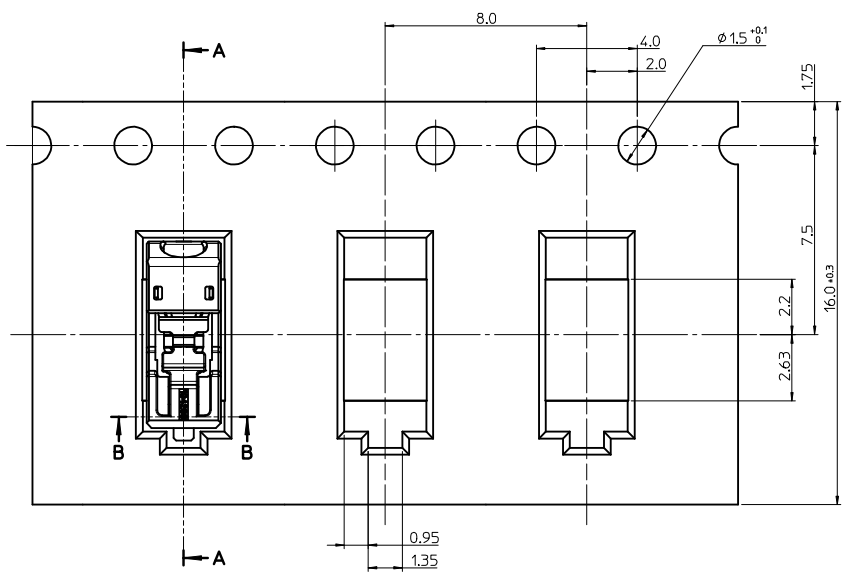
RELEASED
 EC NO: KOR2015-0074
 DRWN: SCHONG03 2014/12/10
 CHKD: SHCHU 2014/12/10
 APPR: YSK1M02 2014/12/11

REV	DESCRIPTION
A	

QUALITY SYMBOLS	GENERAL TOLERANCES (UNLESS SPECIFIED)	
	mm	INCH
▽=0	4 PLACES ± --- ± ---	
▽=0	3 PLACES ± --- ± ---	
	2 PLACES ± 0.15 ± ---	
	1 PLACE ± 0.20 ± ---	
	0 PLACE ± --- ± ---	
	ANGULAR ± 1 °	
	DRAFT WHERE APPLICABLE MUST REMAIN WITHIN DIMENSIONS	

DIMENSION STYLE		SCALE	DESIGN UNITS	THIRD ANGLE PROJECTION
MM ONLY		5:1	METRIC	
DRAWN BY	DATE	TITLE		
SCHONG03	2014/12/10	MINI S-POKE CONN. -1P		
CHECKED BY	DATE	MINI LITE-TRAP CONN.1KCT		
SHCHU	2014/12/10	EMBOSS PACKAGE		
APPROVED BY	DATE			
YSK1M02	2014/12/11			
MATERIAL NO.	DOCUMENT NO.	SHEET NO.		
1042380110	SD-104238-002	1 OF 1		

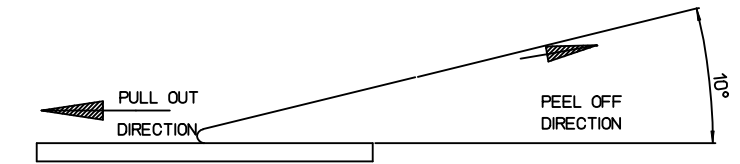
THIS DRAWING CONTAINS INFORMATION THAT IS PROPRIETARY TO MOLEX INCORPORATED AND SHOULD NOT BE USED WITHOUT WRITTEN PERMISSION



Section A-A

NOTES

1. QUANTITY OF CONNECTORS : 3,500 PCS/REEL
2. LEAD LENGTH
3. PEELING OFF FORCE OF COVER TAPE : 0.1N~0.59N(10.2GF~60GF)
 (PEELING DIRECTION AS SHOW IN FOLLOW FIG.)
 PEELING OFF SPEED : 300mm/Min.(Ref.)

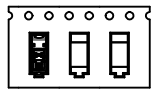


4. FLASH IN ANY PORTION SHOULD BE LESS THAN 0.20mm MAX.
5. UNLESS OTHERWISE SPECIFIED INNER R0.2 MAX

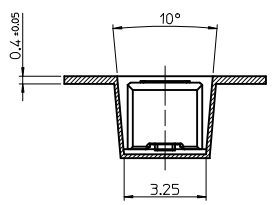
[TABLE]

1042380110	104238-0110	NATURAL	16.0mm	104238-9001
MATERIAL NO.	NO.	COLOR	TAPE WIDTH	EMBOSS TAPE
	CONNECTOR			

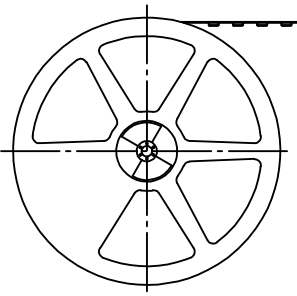
PULL OUT DIRECTION →



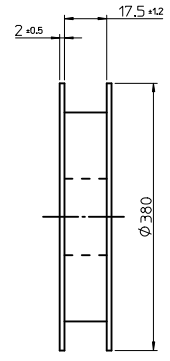
PULL OUT DIRECTION →



Section B-B



PLASTIC BOBBIN



RELEASED EC NO: KOR2015-0074 DRWN: SCHONG03 2014/12/10 CHKD: SHCHU 2014/12/10 APPR: YSK1M02 2014/12/11	QUALITY SYMBOLS	GENERAL TOLERANCES (UNLESS SPECIFIED)	DIMENSION STYLE	SCALE	DESIGN UNITS	THIRD ANGLE PROJECTION
	$\nabla = 0$ $\sphericalangle = 0$	mm INCH 4 PLACES ± --- ± --- 3 PLACES ± --- ± --- 2 PLACES ± 0.15 ± --- 1 PLACE ± 0.20 ± --- 0 PLACE ± --- ± ---	MM ONLY	5:1	METRIC	
	DESCRIPTION	ANGULAR ± 1 °	DRAWN BY	DATE	TITLE	
	REV	DRAFT WHERE APPLICABLE MUST REMAIN WITHIN DIMENSIONS	CHECKED BY	DATE		
	A		APPROVED BY	DATE		
			2014/12/11			
			MATERIAL NO.	DOCUMENT NO.	SHEET NO.	
			1042380110	SD-104238-002	1 OF 1	
			THIS DRAWING CONTAINS INFORMATION THAT IS PROPRIETARY TO MOLEX INCORPORATED AND SHOULD NOT BE USED WITHOUT WRITTEN PERMISSION			

MINI S-POKE CONN. -1P
 MINI LITE-TRAP CONN.1KCT
 EMBOSS PACKAGE

molex