

4

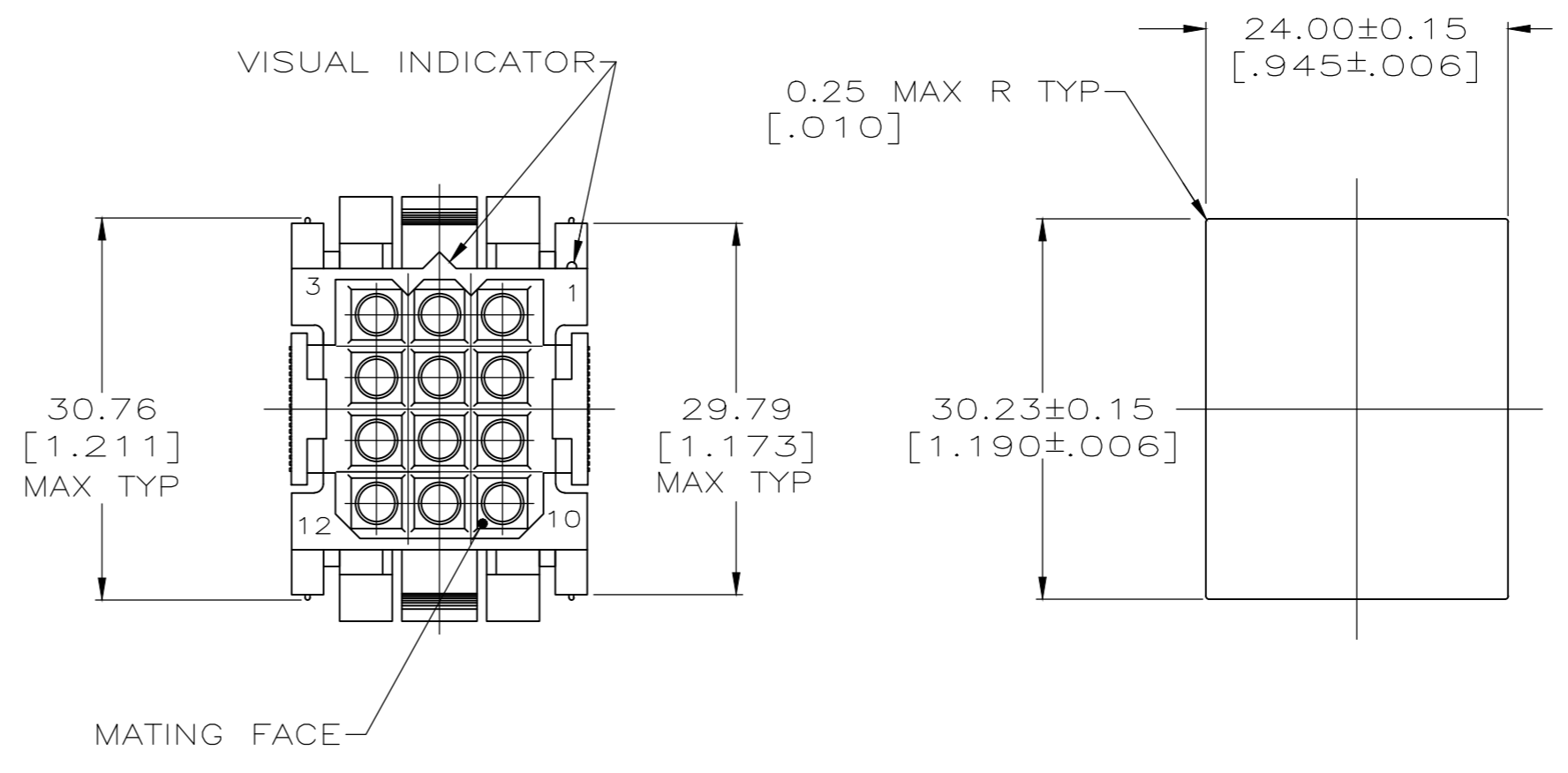
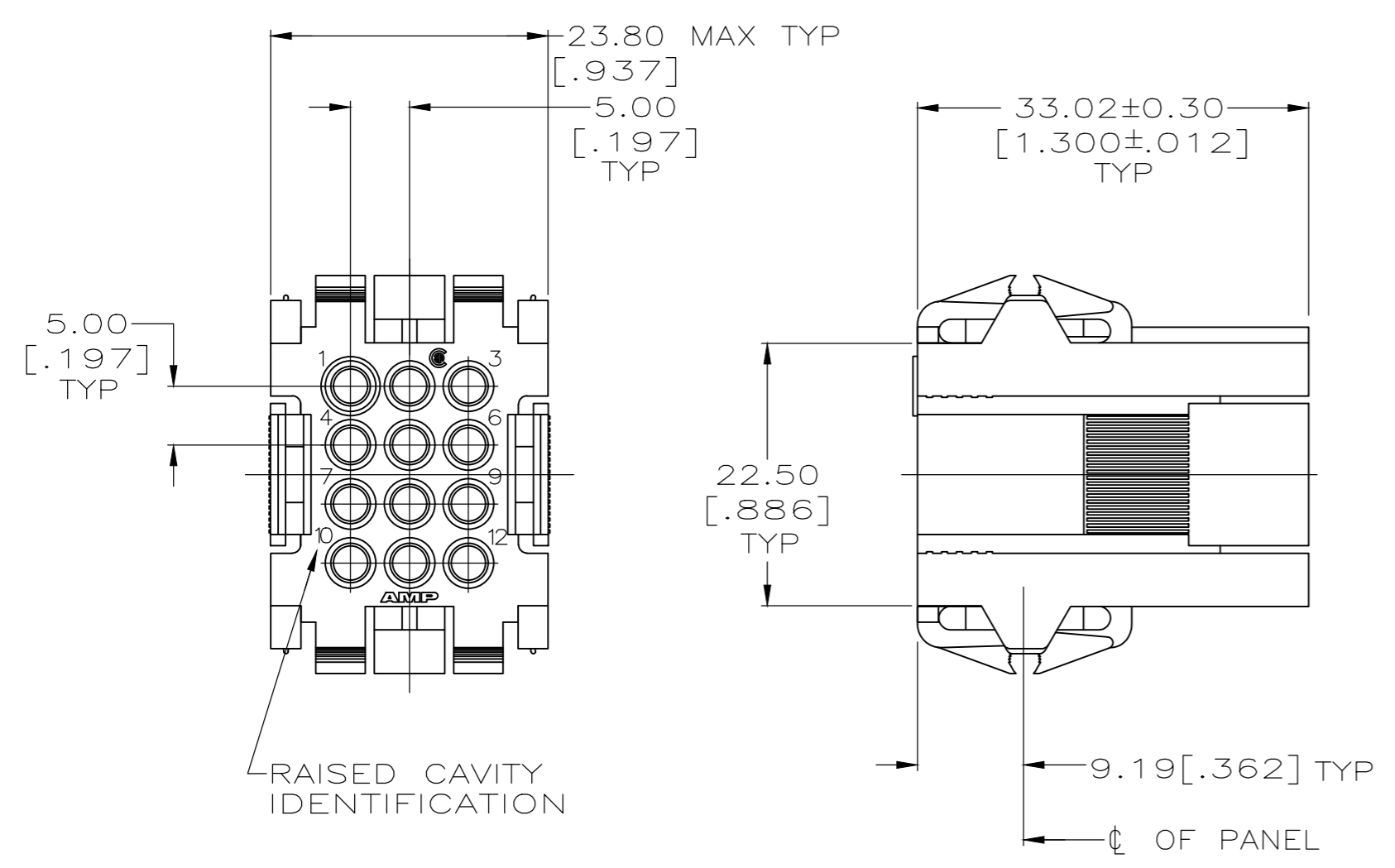
3

2

1

THIS DRAWING IS UNPUBLISHED. RELEASED FOR PUBLICATION  
COPYRIGHT - By - ALL RIGHTS RESERVED.

REVISIONS				
P	LTR	DESCRIPTION	DATE	APVD
R		REVISED PER ECO-20-002227	19FEB2020	RK MZ



PANEL CUTOUT

- 1 PANEL RETENTION MECHANISM ACCOMMODATES PANEL THICKNESSES FROM 0.76[.030] TO 2.29[.090].
- 2 SAME AS 207018-1 EXCEPT: ROUNDED EDGES ON THE OUTSIDE OF THE HOUSING AND A 45° ANGLE ON THE OUTSIDE OF THE HOUSING BY THE LOCKING LATCHES, REF 927675.
- 3 HOUSING MATERIAL: PA66, BLACK, UL 94 V-0 RATED.

2	SUPERSEDED BY 207018-1	207018-2
		207018-1
		PART NO

THIS DRAWING IS A CONTROLLED DOCUMENT.		DWN W.LENKER 08/26/92	<b>STE</b> TE Connectivity	
DIMENSIONS: mm [INCHES]		CHK R.STONE 8-31-92		
TOLERANCES UNLESS OTHERWISE SPECIFIED:		APVD -	NAME HOUSING, RECEPTACLE, 12 POSITION, METRIMATE	
0 PLC ± -		PRODUCT SPEC 108-10033	APPLICATION SPEC	
1 PLC ± -		SIZE A2	CAGE CODE 00779	DRAWING NO C-207018
2 PLC ± 0.25 [.010]		WEIGHT -	RESTRICTED TO -	
3 PLC ± -		CUSTOMER DRAWING		
4 PLC ± -		SCALE 2:1 SHEET 1 of 1 REV R		
ANGLES ± -				
MATERIAL 3				
FINISH -				

207018  
B

A