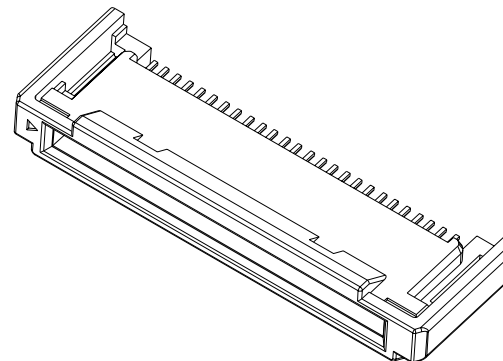
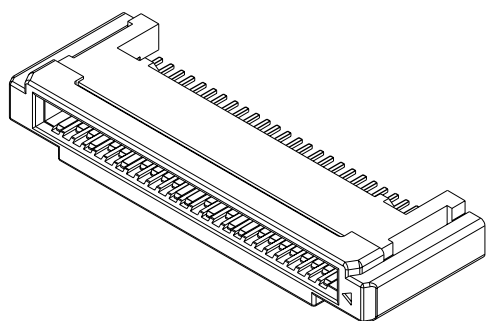
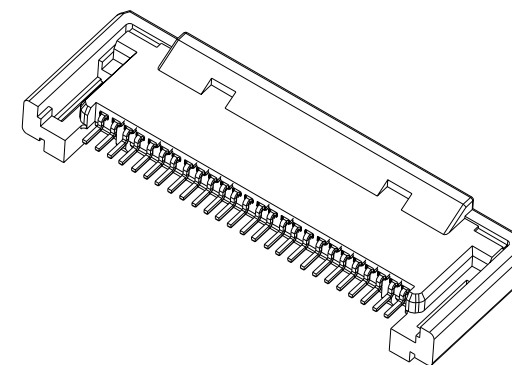
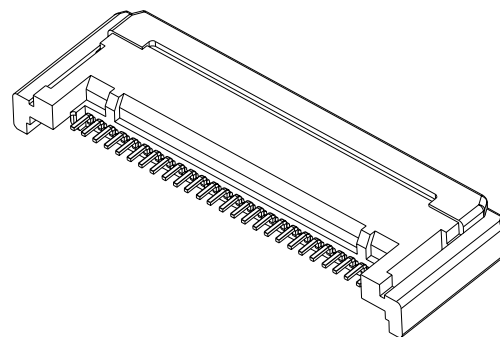


| PRODUCT NUMBER  | REMARK     |
|-----------------|------------|
| 10030570-1XXXLF | SEE NOTE 3 |
| 10030570-2XXXLF | SEE NOTE 3 |
| 10030570-3XXXLF | SEE NOTE 3 |
| 10030570-6XXXLF | SEE NOTE 3 |



NOTES:

- MATERIAL : HIGH TEMPERATURE THERMOPLASTIC, UL 94V-0 FLAME RETARDANT.  
TERMINAL : COPPER ALLOY.  
PLATING SPEC. AS BELOW :  
Ni 50u" UNDER PLATED.  
Au 30u" OVER CONTACT AREA. (ONE SIDE)  
Matte Tin 120u" OVER SOLDERING AREA.
- PRODUCT PERFORMANCE PER SPEC. GS-12-292, "LF" MEANS LEAD FREE.
- PART NUMBER SCHEME :  
10030570- X X X X LF

PACKAGING  
2: TAPE AND REEL  
3: TRAY

CONTACT PLATING  
1: GOLD  
2: GXT

PLASTIC COLOR  
1: BLACK

SOLDER TAIL OFFSET  
1: +0.00  
2: +0.30  
3: +0.60  
6: +1.15

4. THIS PRODUCT IS RoHS COMPLIANT, AND MEETS EUROPEAN UNION DIRECTIVES AND OTHER COUNTRY REGULATIONS AS PER GS-22-008.

| rev | ecn no   | dr   | date       |
|-----|----------|------|------------|
| H   | T07-0062 | H B  | 2007/03/08 |
| J   | N07-0164 | MIAO | 2007/07/16 |
| K   | N07-0181 | MIAO | 2007/08/08 |
| L   | N08-0025 | R.B  | 2008/01/29 |
| M   | N10-0341 | SH   | 10/08/2010 |
| -   | -        | -    | -          |
| -   | -        | -    | -          |

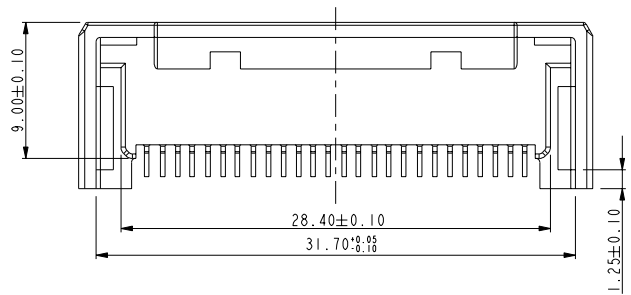
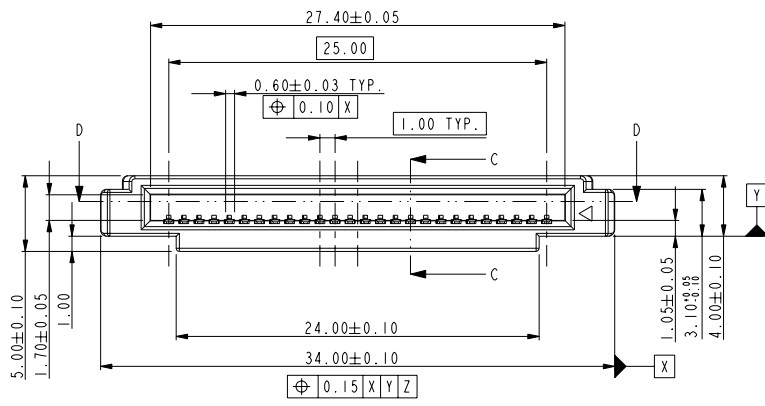
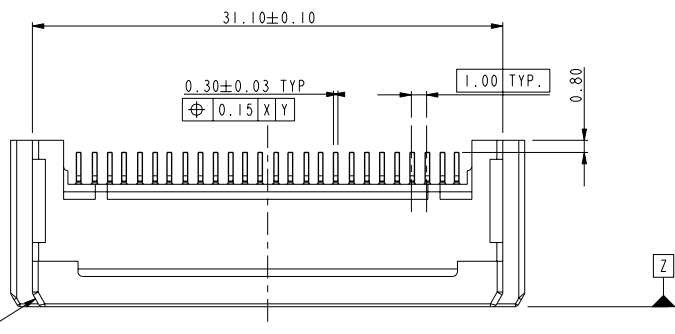
|                    |             |            |   |               |            |                              |
|--------------------|-------------|------------|---|---------------|------------|------------------------------|
| www.fciconnect.com |             |            | surface <input checked="" type="checkbox"/> | tolerance std | projection | MM                           |
|                    |             |            | TOLERANCES UNLESS OTHERWISE SPECIFIED       |               |            |                              |
| Dr                 | Rick Bian   | 2007/08/23 | ANGULAR                                     | LINEAR        | 0.X        | ±0.50                        |
| Eng                | Rick Bian   | 2007/08/23 |   |               | size       | A4                           |
| Chr                | Daniel Tao  | 2007/08/23 | 0°  | ±3°           | 0.XXX      | ±                            |
| Appr               | JOSEPH HSIA | 2007/08/23 | Product family                              |               | Spec ref   |                              |
|                    |             |            | FCI   |               | title      | EXPRESSCARD MODULE CONNECTOR |
|                    |             |            | FCI   |               | title      | EXPRESSCARD MODULE CARD KIT  |
|                    |             |            | catalog no                                  | 10030570      | CUSTOMER   | sheet 1 of 4                 |
|                    |             |            |   |               | dwg no     | 10030570                     |
|                    |             |            |   |               | Rev.       | M                            |



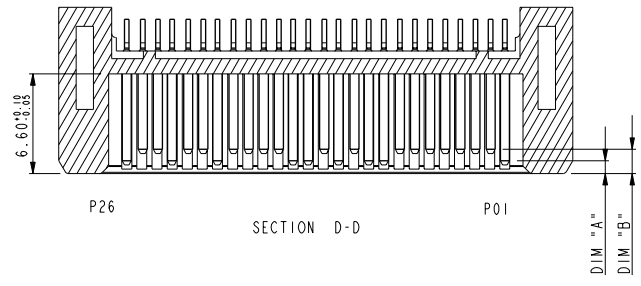
Copyright FCI.

A  
B  
C  
D

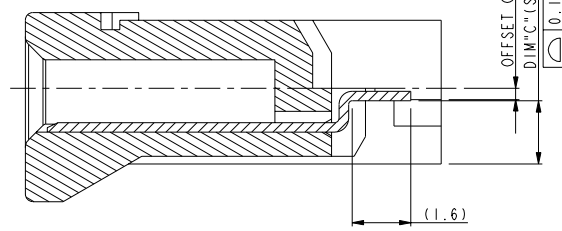
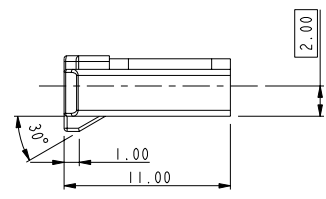
1 2 3 4



SCALE 2.000



| FIRST LEVEL |  | SECOND LEVEL |  |
|-------------|--|--------------|--|
| DIM. "A"    | PIN #                                  | DIM. "B"     | PIN #                                    |
| 0.75        | 1, 9, 10,<br>12, 14, 15,<br>20, 23, 26 | 1.50         | 2-8, 11, 13,<br>16-19, 21,<br>22, 24, 25 |



SECTION C-C  
SCALE 5.000

| PART NO.        | OFFSET OPTION | DIM "C" | TOLERANCE      |
|-----------------|---------------|---------|----------------|
| 10030570-1XXXLF | OFFSET +0.00  | 1.95    | +0.10<br>-0.10 |
| 10030570-2XXXLF | OFFSET +0.30  | 1.65    |                |
| 10030570-3XXXLF | OFFSET +0.60  | 1.35    |                |
| 10030570-6XXXLF | OFFSET +1.15  | 0.80    |                |

|                                       |             |            |   |               |  |                        |       |
|---------------------------------------|-------------|------------|---|---------------|--|------------------------|-------|
| www.fciconnect.com                    |             |            | surface <input checked="" type="checkbox"/> | tolerance std | projection <input checked="" type="checkbox"/> | MM                     |       |
| TOLERANCES UNLESS OTHERWISE SPECIFIED |             |            |   |               |  |                        |       |
| Dr                                    | Rick Bian   | 2007/08/23 | ANGULAR                                     | 0.X           | ±0.50  | size A4<br>Scale 2.000 |       |
| Eng                                   | Rick Bian   | 2007/08/23 |   | LINEAR        | 0.XX   |                        | ±0.30 |
| Chr                                   | Daniel Tao  | 2007/08/23 |   | 0°            | ±3°  |                        | 0.XXX |
| Appr                                  | JOSEPH HSIA | 2007/08/23 | Product family                              |               |  | ECN                    |       |
| title EXPRESSCARD MODULE CONNECTOR    |             |            |   |               |  | Spec ref               |       |
| title EXPRESSCARD MODULE CARD KIT     |             |            |   |               |  | dwg no 10030570        |       |
| catalog no 10030570                   |             |            |   |               |  | CUSTOMER               |       |
|                                       |             |            |   |               |  | Rev. M                 |       |
|                                       |             |            |   |               |  | sheet 2 of 4           |       |

REV F - 2006-04-11



Copyright FCI.

A

B

C

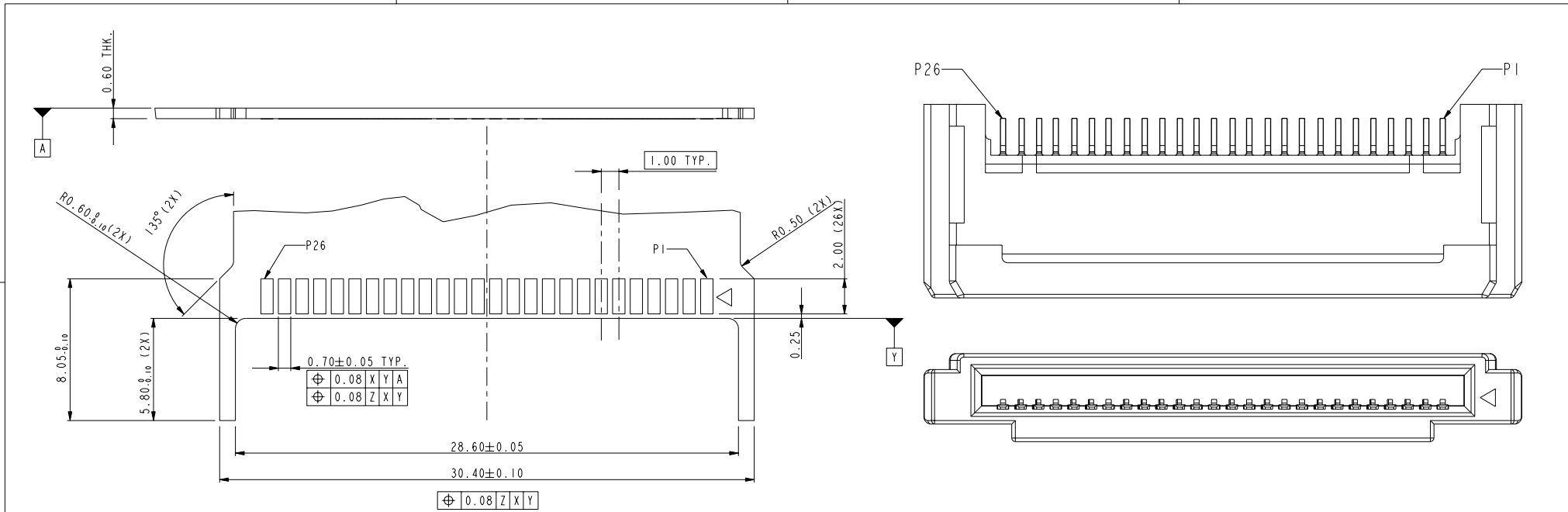
D

A

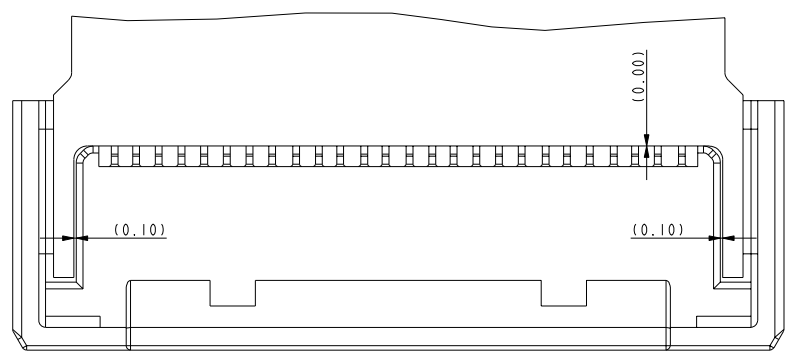
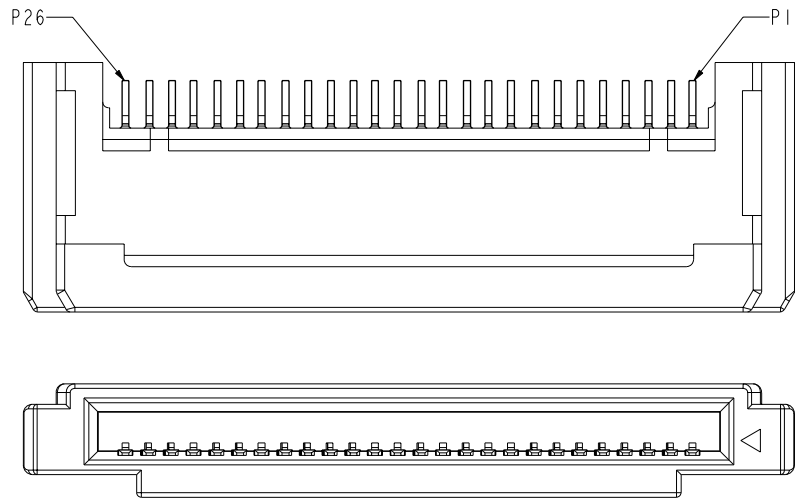
B

C

D



RECOMMENDED PCB LAYOUT



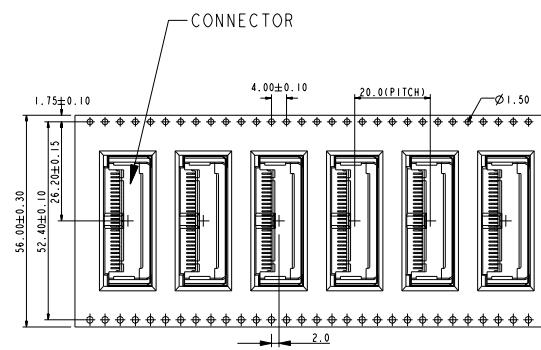
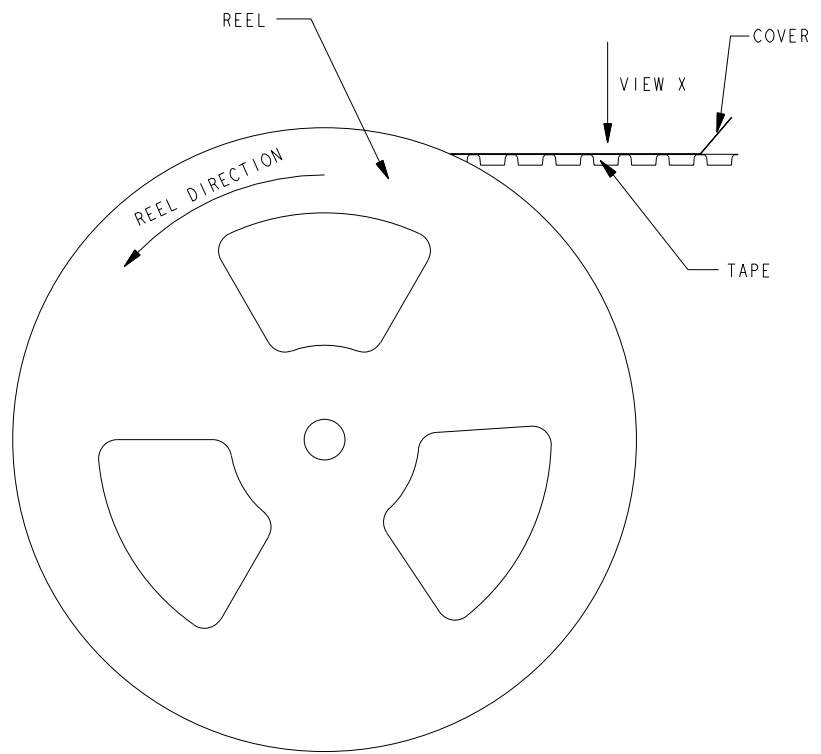
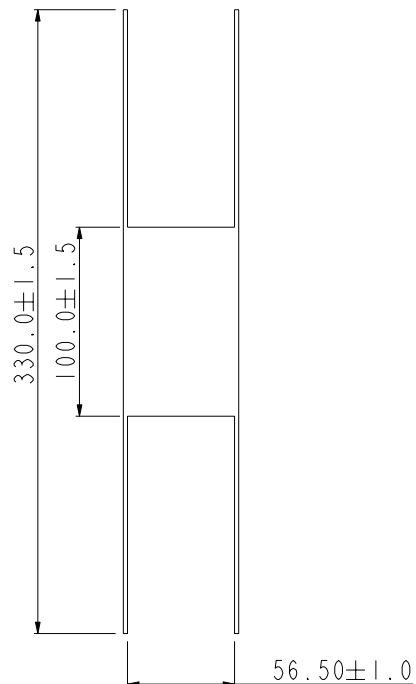
PCB ASSEMBLY REFERENCE

|                    |             |   |   |                 |            |              |
|--------------------|-------------|---|---|-----------------|------------|--------------|
| www.fciconnect.com |             |   | surface <input checked="" type="checkbox"/> | tolerance std   | projection | MM           |
|                    |             |   | TOLERANCES UNLESS OTHERWISE SPECIFIED       |                 | ← →        |              |
| Dr                 | Rick Bian   | 2007/08/23  | ANGULAR                                     | LINEAR          | 0.X        | ±0.50        |
| Eng                | Rick Bian   | 2007/08/23  |   |                 | 0.XX       | ±0.30        |
| Chr                | Daniel Tao  | 2007/08/23  | 0°  | ±3°             | 0.XXX      | ±            |
| Appr               | JOSEPH HSIA | 2007/08/23  | Product family                              |                 |            | Spec ref     |
|                    |             | title EXPRESSCARD MODULE CONNECTOR<br>EXPRESSCARD MODULE CARD KIT |   | dwg no 10030570 |            | Rev. M       |
|                    |             | catalog no 10030570   |   | CUSTOMER        |            | sheet 3 of 4 |

REV F - 2006-04-17



Copyright FCI.



VIEW X, SCALE 2:1

|                    |             |                                    |                                       |                                     |                 |            |              |             |
|--------------------|-------------|------------------------------------|---------------------------------------|-------------------------------------|-----------------|------------|--------------|-------------|
| www.fciconnect.com |             |                                    | surface                               | <input checked="" type="checkbox"/> | tolerance std   | projection | MM           |             |
|                    |             |                                    | TOLERANCES UNLESS OTHERWISE SPECIFIED |                                     |                 |            |              |             |
| Dr                 | Rick Bian   | 2007/08/23                         | ANGULAR                               | LINEAR                              | 0.X             | ±0.50      | size A4      | Scale 1.000 |
| Eng                | Rick Bian   | 2007/08/23                         |                                       |                                     | 0.XX            | ±0.30      |              |             |
| Chr                | Daniel Tao  | 2007/08/23                         | 0°                                    | ±3°                                 | 0.XXX           | ±          | ECN          |             |
| Appr               | JOSEPH HSIA | 2007/08/23                         | Product family                        |                                     |                 | Spec ref   |              |             |
|                    |             | title EXPRESSCARD MODULE CONNECTOR |                                       |                                     | dwg no 10030570 |            | Rev. M       |             |
|                    |             | catalog no 10030570                |                                       |                                     | CUSTOMER        |            | sheet 4 of 4 |             |

REV F - 2006-04-17